

Outdoor Dual Band Combiner

CM-AC2-OA4C / CM-AC2D-OA4C CM-AC2-OD4C / CM-AC2D-OD4C

Low PIM(-153dBc), 4.3-10 Female, 7/16 DIN-Female



- Band 1: 617-805MHz, Band 2: 817-894MHz
- Co-siting purpose for feeder sharing
- High isolation – minimizes interference
- High power handling and low loss – maximizes system performance
- Built-in lightning protection
- Available as a single unit or double units
- Built with all DC bypass, to be used with Tower Mounted Amplifiers and AISG devices

Electrical Specification

Frequency (MHz)	617-805	817-894
Insertion Loss (dB)	≤ 0.6	≤ 0.5
Isolation Between Ports (dB)	≥ 60	
Return Loss (dB)	≥ 18, typical 20	
Coupling Value at Com Port (dB)	43.0 ± 2.0	
PIM (dBc)	≤ -153 @ 2x43dBm	
Input Power Per Port, max (W)	250	
Impedance (ohm)	50	

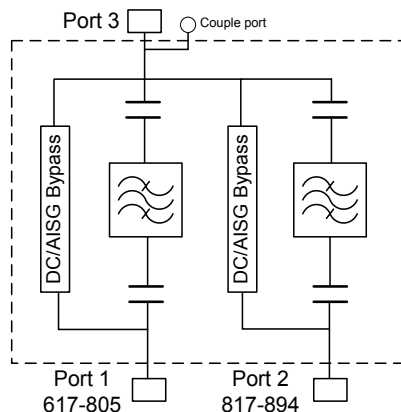
Mechanical Specification

Dimension (in/mm)	9.0x8.2x2.5 / 228.0x207.0x63.0	
Weight (lb/kg)	6.5 / 3.1	
Shipping Dimension	15.5x10.2x6.2 / 395.0x262.0x157.0	
Shipping Weight(lb/kg)	7.3 / 3.3	
Connector	CM-AC2-OAxC	Single 4.3-10 F
	CM-AC2D-OAxC	Double 4.3-10 F
	CM-AC2-ODxC	Single 7/16 DIN-F
	CM-AC2D-ODxC	Double 7/16 DIN-F

Environment & Compliance

Application	Outdoor / Indoor
Operating Temperature	-40°C to +65°C
Environment	IP66
Relative Humidity	Up to 95%
Lightning Protection	Comply with IEC 61000-4-5; 8kA, 8/20μs
RoHS	Compliant

Block Diagram



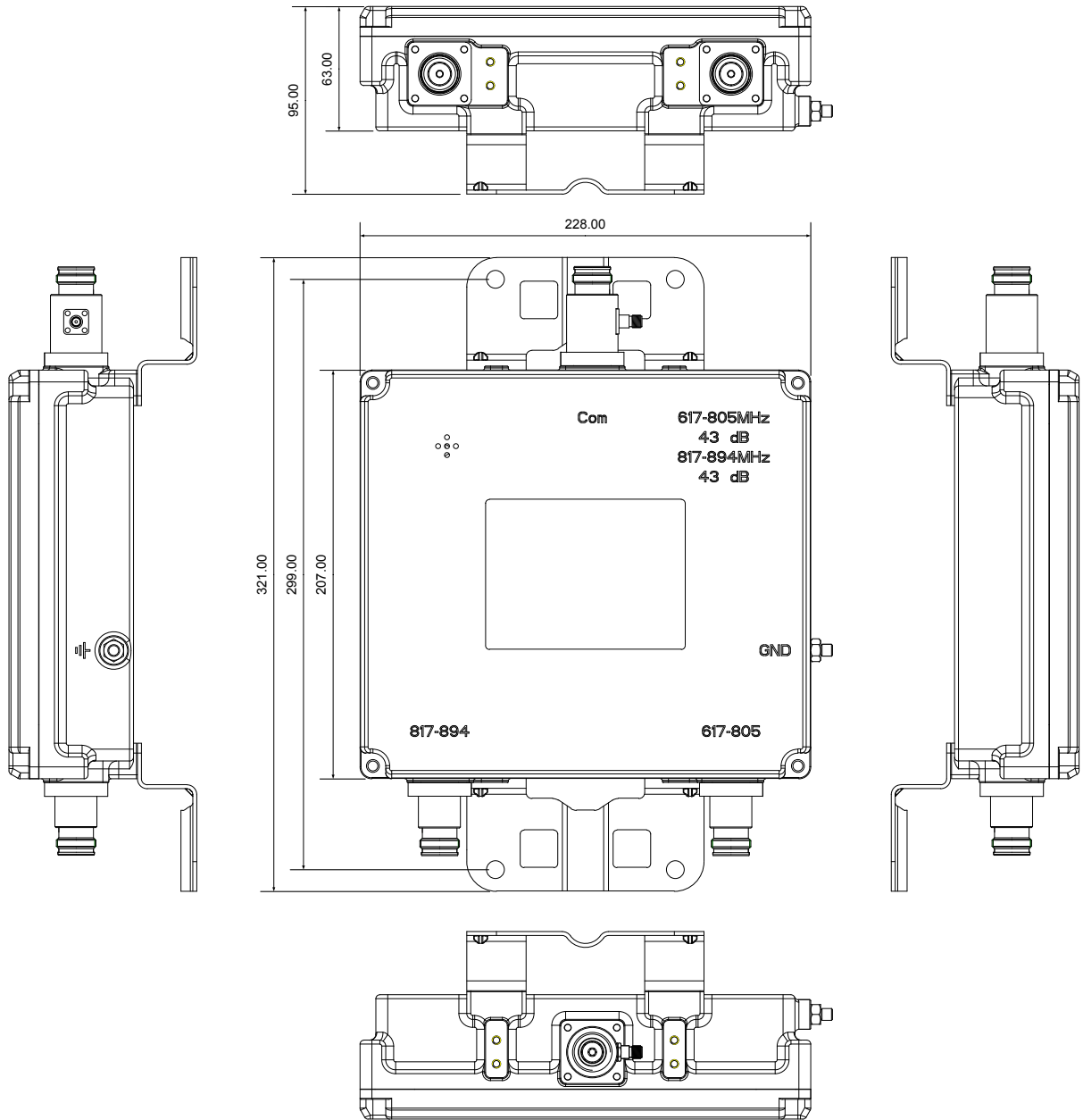
Example: View of CM-AC2-OA4C

Ordering Information

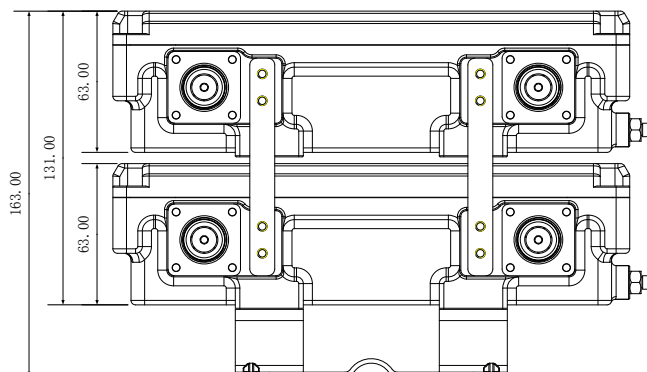
Single Unit Model Number	Double units Model Number	DC Bypass Optional
CM-AC2-OA4C	CM-AC2D-OA4C	Full DC Pass
CM-AC2-OD4C	CM-AC2D-OD4C	

Outline Drawing

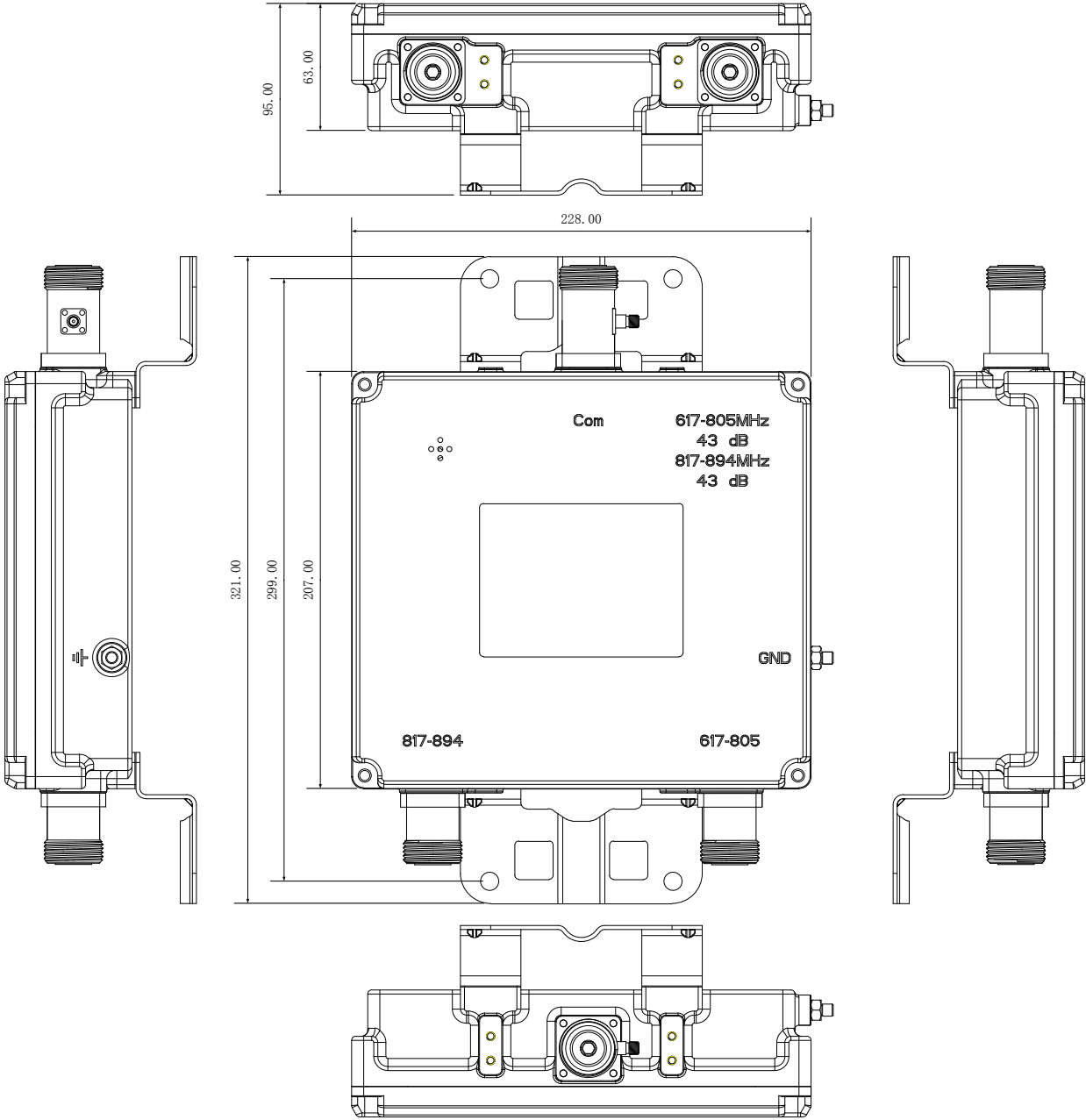
CM-AC2-OA4C (unit: mm)



CM-AC2D-OA4C



CM-AC2-OD4C (unit: mm)



CM-AC2D-OD4C

