

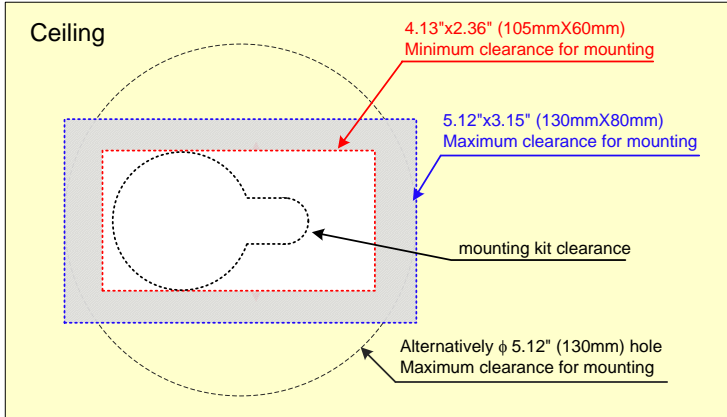
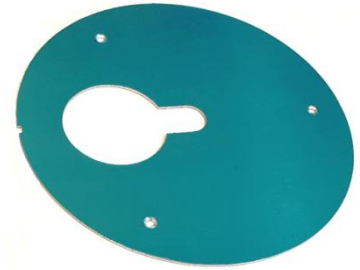
Antenna Mounting Kit

MT-DA-01

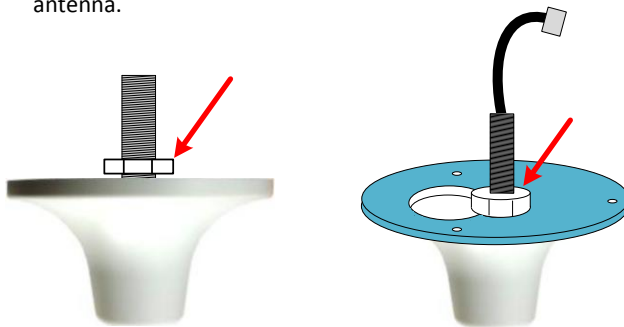
Hard Ceiling Mount for IXD-360V03NS / IXD-360V03MDS

Hard Ceiling Installation Guide

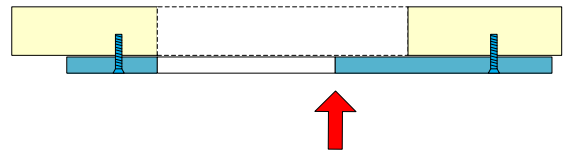
- 1) Make a hole or clearance for the mount. The minimum clearance is 4.13"x 2.36".
- 2) The maximum clearance is 5.12"x3.15" rectangular or 5.12" diameter circular hole as shown below.



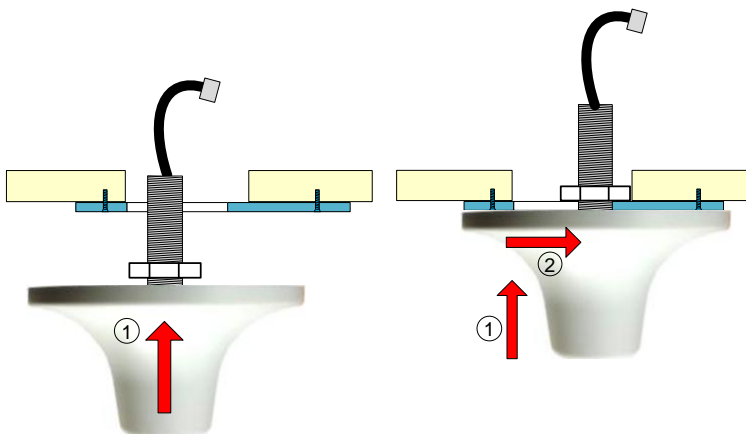
- 3) Adjust the mounting nut position (white plastic) to hold the antenna securely after attaching with the bracket. Keep the mounting nut position and remove the bracket from the antenna.



- 4) Attach the bracket to the ceiling with three screws.



- 5) Insert the antenna into the ceiling and then push it in the direction as shown in the illustration below.



* Unmounting procedure

- Please find a small notch around the circle and pull the antenna towards the notch around 1.5" as shown below by the red arrow.
- Pull down the antenna.

