

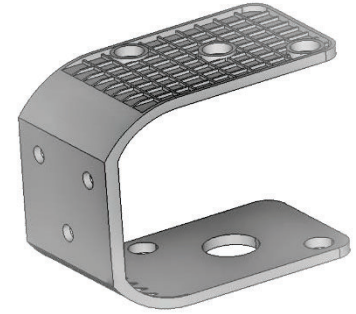
U-Shape Antenna Mounting bracket

MT-ND-HC

Universal U-Shape Antenna Mounting Bracket, UL-94-V0 rating

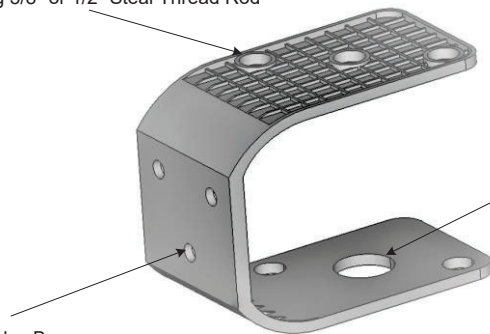
This U-Shape antenna bracket supports all Comba indoor antennas

- Supports High Ceiling Mounting and Joist Mounting of most indoor antennas
- Supports Low-profile and Regular Cone shape antennas as universal type
- ABS materials with UL-94-V0 rating



Installation Instruction

Mount Holes A
For High Ceiling Mount
Mount Holes Size; $\varnothing 0.53$ inches (13.5mm)
Supporting 3/8" or 1/2" Steel Thread Rod



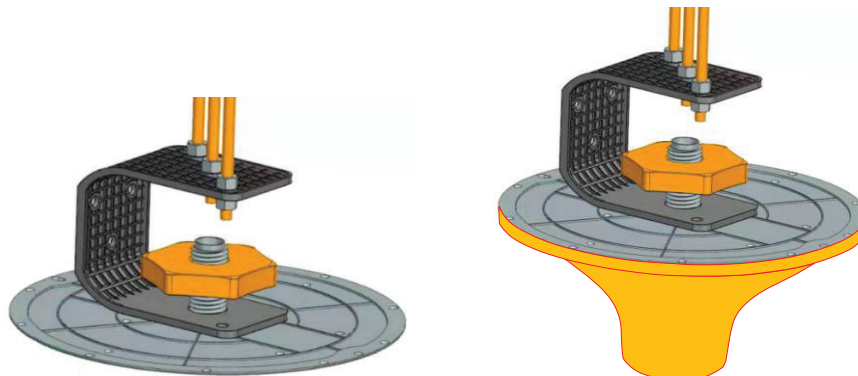
Mount Holes B
For Joist Mount
Mount Holes size; $\varnothing 0.32$ inches (8.2mm)
Supporting Wood Screw #14-#18

Mount Hole C
For Antenna Mount
Hole Size; $\varnothing 1.0$ inch (25mm)

U-shape Antenna Bracket

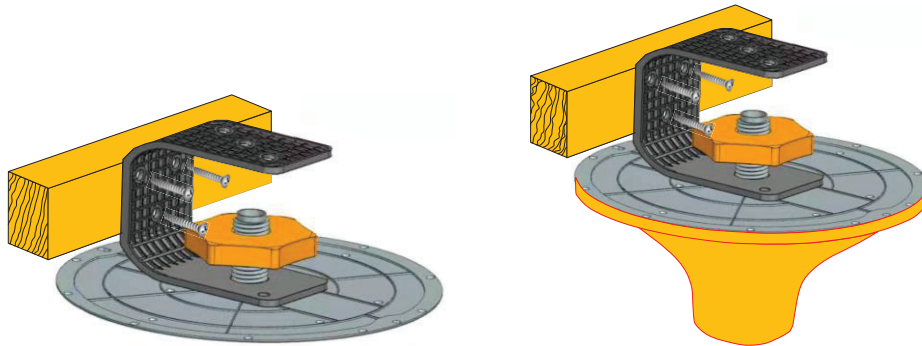
A. High Ceiling Mount

1. Insert the antenna supporting pole to the Mount hole C at the antenna bracket as shown below in picture and tighten the threaded nut of the antenna
2. Insert thread rods from the ceiling to Mount holes A of the antenna bracket and tighten nuts as shown below in picture



B. Joist Mounting

1. Insert the antenna supporting pole to the Mount hole C at the antenna bracket as shown below in picture and tighten the threaded nut of the antenna
2. Mount the antenna bracket with three wood screws (#14~#18 recommendation) at a joist as shown below in picture



Mechanical Specification

Shipping Dimension(in/mm)	7.09x4.72x3.15 / 180.0x120.0x80.0	Material & Color	ABS, White, RAL9003
Shipping Weight(lb./kg)	0.6 / 0.25	Flammability	UL-94-V0

Outline Drawing

