

Outdoor Quad band Combiner

CM-ACJP4-OD1(I)

Low PIM(-161dBc), Multiband Combiner, 7/16-Female
(700LTE/ 850/ AWS 1&3/ PCS)

- Band1: 698-787MHz / Band2: 806-894MHz
Band3: 1695-1780MHz & 2110-2180MHz
Band4: 1850-1995MHz
- Designed for feeder sharing and co-siting purpose
- High isolation between ports to minimize interferences
- Built-in-lightning protection Suitable for indoor/outdoor environment



Electrical Specification

Frequency (MHz)	698-787	806-894	1695-1780/2110-2180	1850-1995	
Insertion Loss (dB)		≤ 0.5			
Pass Band Ripple (dB)		≤ 0.5			
Return Loss (dB)		≥ 18, typical 20			
Isolation Between Ports (dB)		≥60 (698-787 / 806-894) ≥80 (698-787 / 1695-2180) ≥80 (806-894 / 1695-2180) ≥60 (1695-1780 & 2110-2180 / 1850-1995)			
PIM (dBc)		≤ -161 @ 2 x 43dBm			
Coupling Value at Com Port (dB)	43.5 ± 2.0	43.5 ± 2.0	37.5 ± 2.0	37.5 ± 2.0	
Input Power Per Port, max (W)	60	120	120	120	
Impedance (ohm)	50				

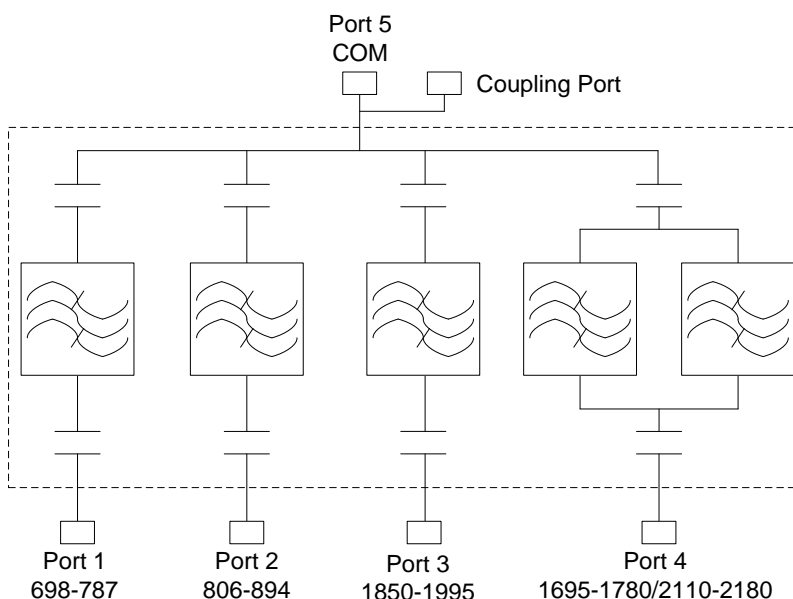
Mechanical Specification

Dimension (in/mm)	10.24x7.21x2.17 / 260.0x183.0x55.0
Weight (lb/kg)	9.00 / 4.08
Shipping Dimension(in/mm)	16.02x12.01x5.91 / 407.0x305.0x150.0
Shipping Weight(lb/kg)	10.87 / 4.93
Connector	7/16 -Female
DC Bypass	NO DC bypass for all ports

Environment & Compliance

Application	Outdoor / Indoor
Operating Temperature	-35°C to +85°C
Environment	IP67
Relative Humidity	Up to 100%
RoHS	Compliant
Lightning Protection	IEC 61000-4-5;±5kA, 8/20µs

Block Diagram



Outline Drawing

Unit: inches [mm]

