

# Wide Directional Coupler, DC Pass

## DC-H20NIDS

Low PIM(-161dBc), 698-3980MHz, N-Female, DC- Pass

- Wideband design covering 698-3980MHz  
- 2G/3G/4G LTE network and CBRS, C-Band
- Supporting DC-Pass for all ports
- Suitable for indoor/outdoor environment
- High reliability and low insertion loss



### Electrical Specification

Product Model	DC-H20NIDS
Frequency (MHz)	698-3980
Coupling (dB)	20
Coupling Tolerance (dB)	± 1.5
Insertion Loss (dB)	≤ 0.5
Directivity (dB)	≥ 18
VSWR @ all ports. typical	1.2
PIM (dBc)	≤ -161 @ 2 x 43dBm
Average Power, max (W)	300
Peak Power, max (W)	1000
Impedance (ohm)	50
DC Power @all ports	Up to ± 158VDC, up to 5Amps

### Mechanical Specification

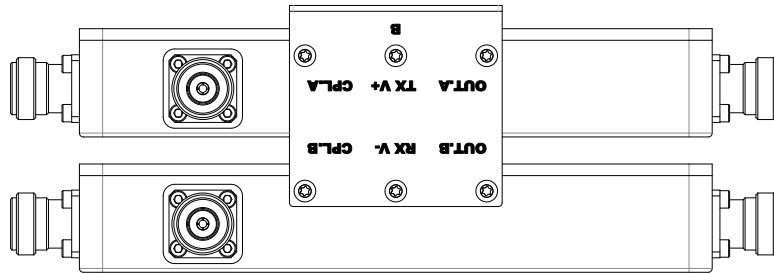
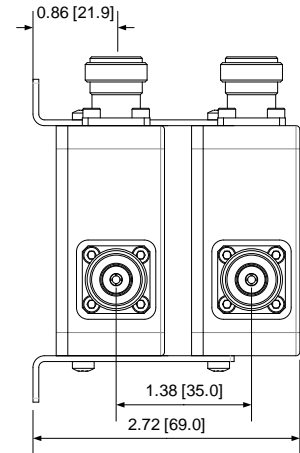
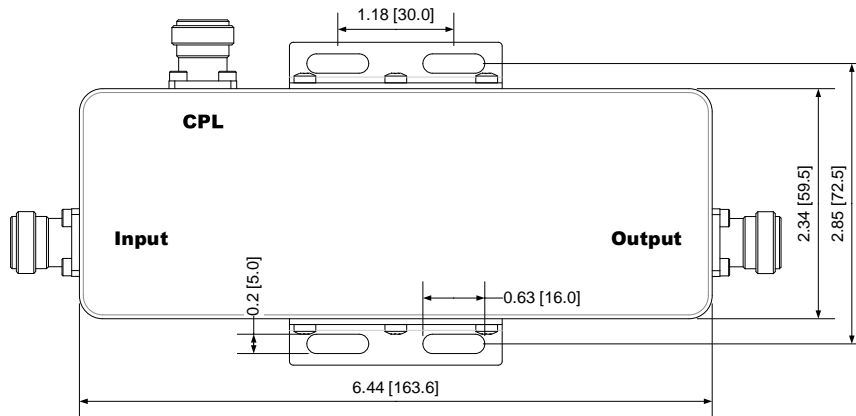
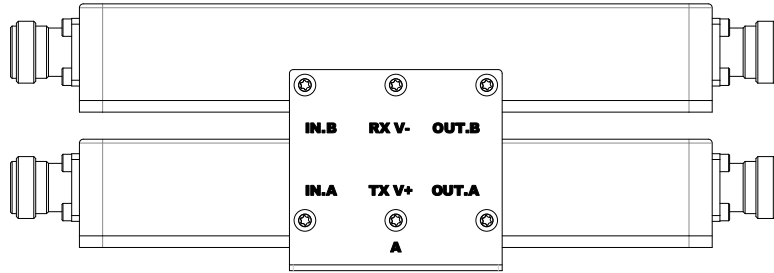
Dimension (in/mm)	7.84x3.29x2.72 / 199.2x83.5x69.0
Weight (lb/kg)	2.87 / 1.3
Shipping Dimension (in/mm)	8.78x3.94x3.15 / 223.0x100.0x80.0
Shipping Weight (lb/kg)	3.09 / 1.4
Connector	N-Female

### Environment & Compliance

Application	Indoor / Outdoor
Operating Temperature	-35°C to +85°C
Environment	IP65
Relative Humidity	Up to 95%
RoHS	Compliant

### Outline Drawing

Unit: inches [mm]



DC-H20NIDS