

Wideband Directional Coupler

DC-Rxx-ON300C(XH)

Low PIM(-153dBc), 698-2700MHz, N-Female, 300W

- Wideband design covering 698-2700MHz
- Available 5, 6, 7, 8, 10, 13, 15, 20, 30 & 40dB values
- Suitable for indoor/outdoor environment
- High Reliability and Low Insertion Loss



Electrical Specification

Product Model	DC-R05-ON 300C(XH)	DC-R06-ON 300C(XH)	DC-R07-ON 300C(XH)	DC-R08-ON 300C(XH)	DC-R10-ON 300C(XH)	DC-R13-ON 300C(XH)	DC-R15-ON 300C(XH)	DC-R20-ON 300C(XH)	DC-R30-ON 300C(XH)	DC-R40-ON 300C(XH)
Frequency (MHz)	698-2700									
Coupling (dB)	5.0	6.0	7.0	8.0	10.0	13.0	15.0	20.0	30.0	40.0
Coupling Tolerance (dB)	± 0.8	± 0.8	± 0.8	± 0.8	± 0.8	± 1.0	± 1.0	± 1.2	± 1.5	± 1.5
Loss (dB)	≤ 2.1	≤ 1.7	≤ 1.4	≤ 1.2	≤ 0.7	≤ 0.5	≤ 0.4	≤ 0.3	≤ 0.2	≤ 0.2
Isolation (dB)	≥ 25	≥ 26	≥ 27	≥ 28	≥ 30	≥ 33	≥ 35	≥ 40	≥ 45	≥ 55
VSWR @ Input port	≤ 1.25									
PIM (dBc)	<-153 @ 2 x 43dBm									
Average Power, max (W)	300									
Peak Power, max (W)	1000									
Impedance (ohm)	50									

Mechanical Specification

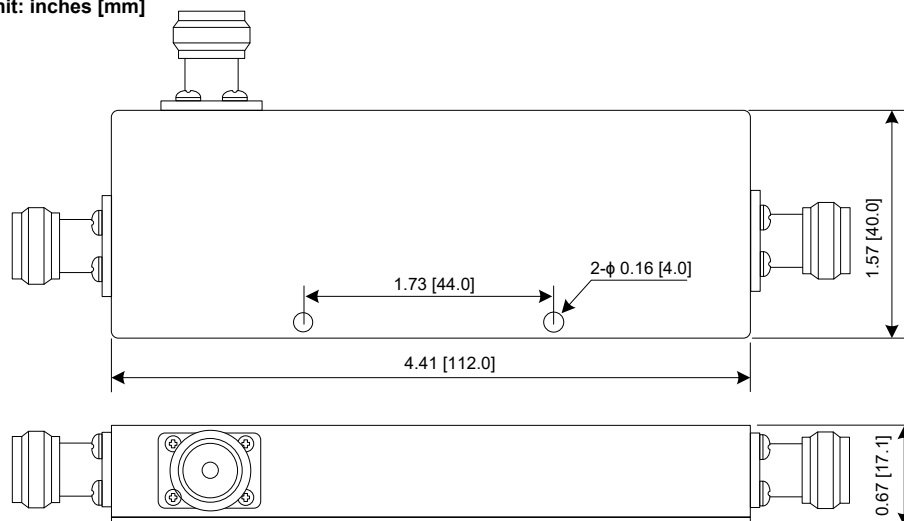
Dimension (in/mm)	4.41x1.57x0.67 / 112.0x40.0x17.1
Weight (lb./kg)	0.53 / 0.24
Shipping Dimension (in/mm)	7.09x2.95x1.18 / 180.0x75.0x30.0
Shipping Weight (lb./kg)	0.55 / 0.25
Connector	N-Female

Environment & Compliance

Application	Indoor / Outdoor
Operating Temperature	-40°C to +85°C
Environment	IP65
Relative Humidity	Up to 95%
RoHS	Compliant

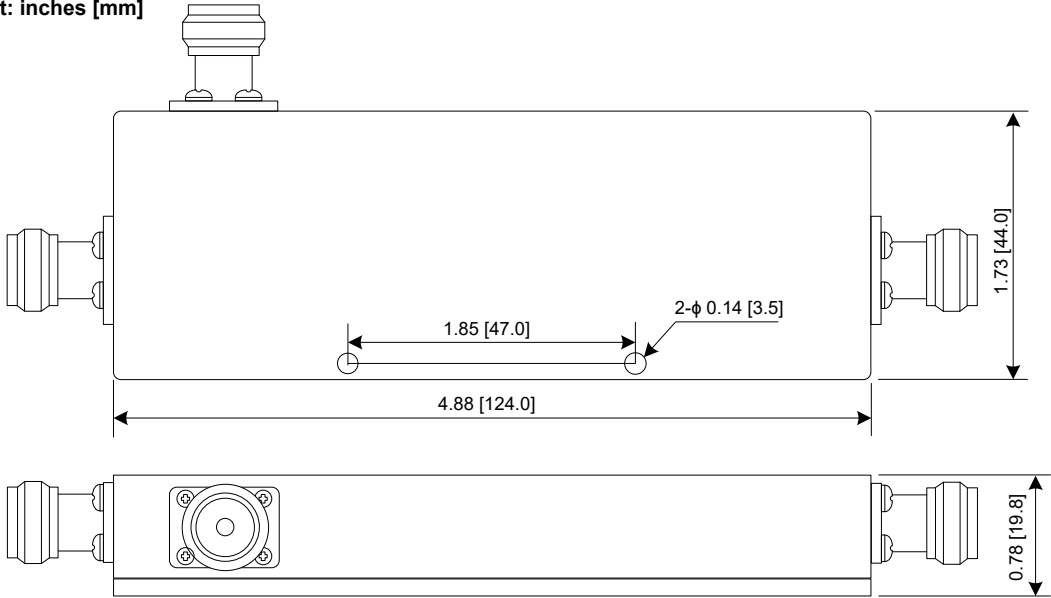
Outline Drawing

Unit: inches [mm]

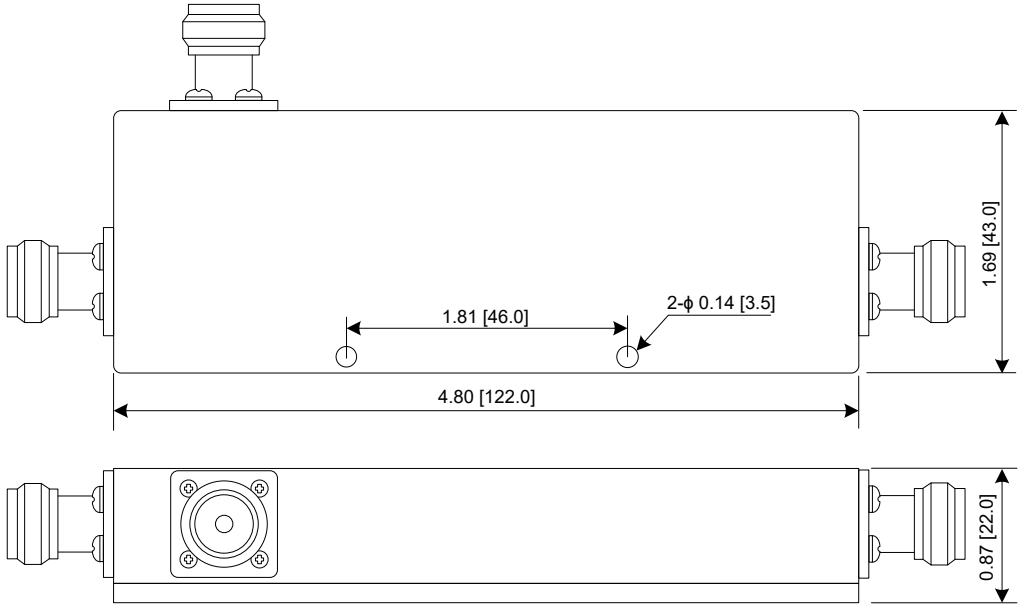


DC-Rxx-ON300C(XH)
xx-05, 06, 07, 08, 10, 13, 15, 20

Unit: inches [mm]



DC-R30-ON300C(XH)



DC-R40-ON300C(XH)