

# Indoor Wide Band Omni Antenna

## IX-MJN-V3P

698-2700MHz, N-Female

- Omni antenna wideband covering 698-2700MHz (700/800 Public Safety Band, 2G/3G/4G Network)
- Suitable for Indoor application, non-PIM rated
- Compact ceiling mount and cost-effective design



### Electrical Specification

Product Model	IX-MJN-V3P			
Frequency (MHz)	698-806	806-960	1695-2200	2300-2700
Gain (dBi)	2.0 ± 1.0	2.0 ± 1.0	3.0 ± 1.0	4.0 ± 1.0
Polarization	Vertical			
Beamwidth Horizontal (°)	360			
VSWR	≤ 2.5	≤ 1.5	≤ 1.5	≤ 1.5
Average Power, max (W)	50			
Impedance (ohm)	50			

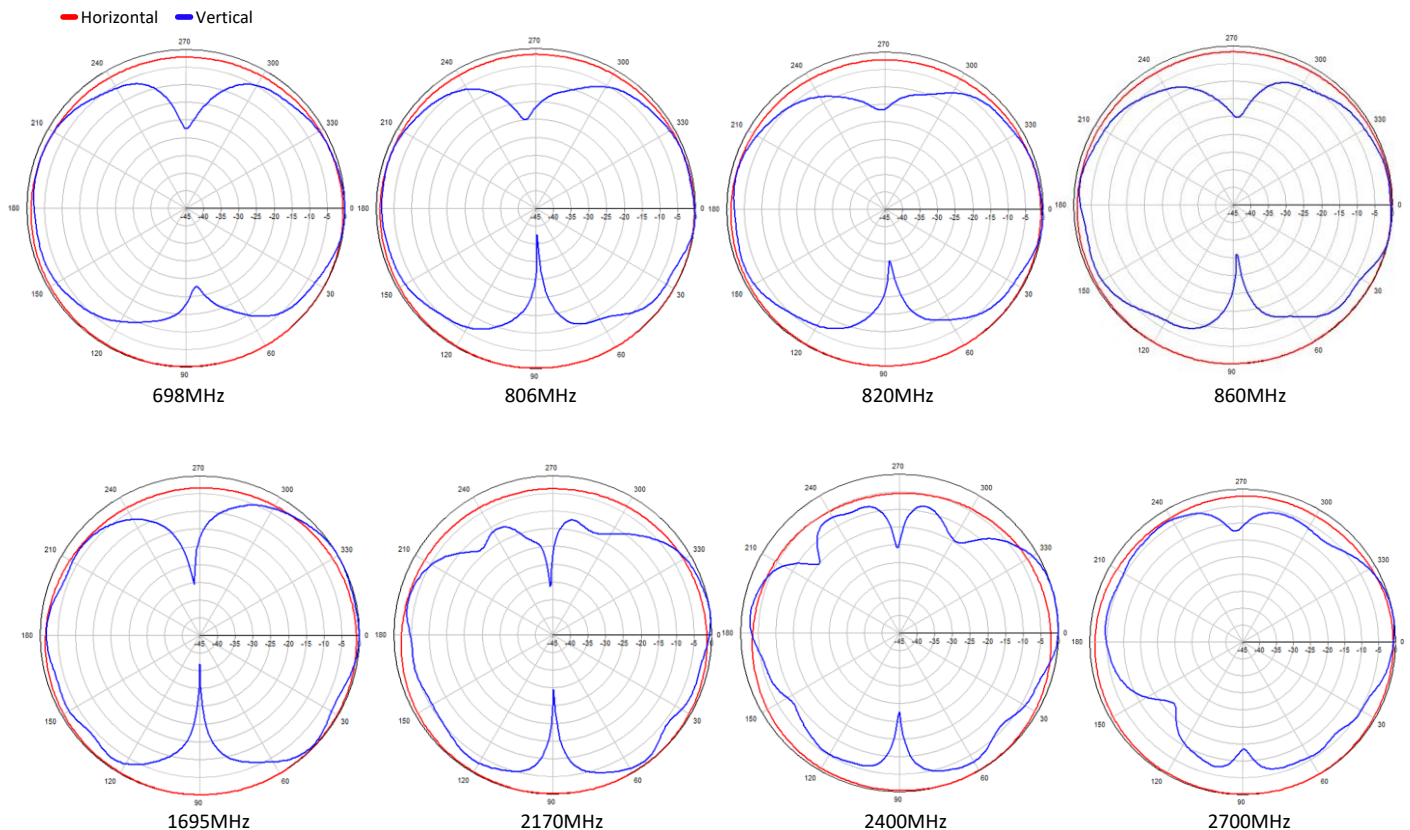
### Mechanical Specification

Dimension Diameter, height (in/mm)	∅ 6.5x 3.7 / ∅ 165 x 94
Weight (lb./kg)	0.5 / 0.2
Shipping Dimension(in/mm)	5.7x5.7x5.5 / 145x145x140
Shipping Weight(lb./kg)	0.7/ 0.3
Radome Material & color	ABS, White
Mounting	Ceiling Mount
Connector type	N-Female

### Environment & Compliance

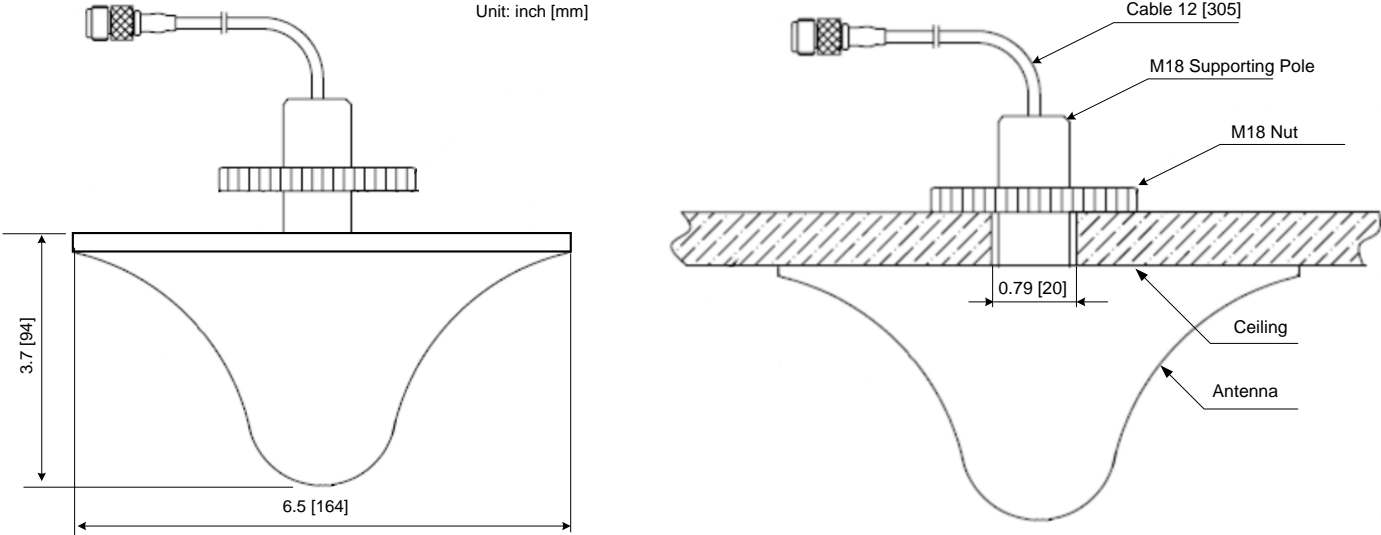
Application	Indoor
Operating Temperature	-40°C to +70°C
Relative Humidity	Up to 95%
RoHS	Compliant

### Antenna Pattern



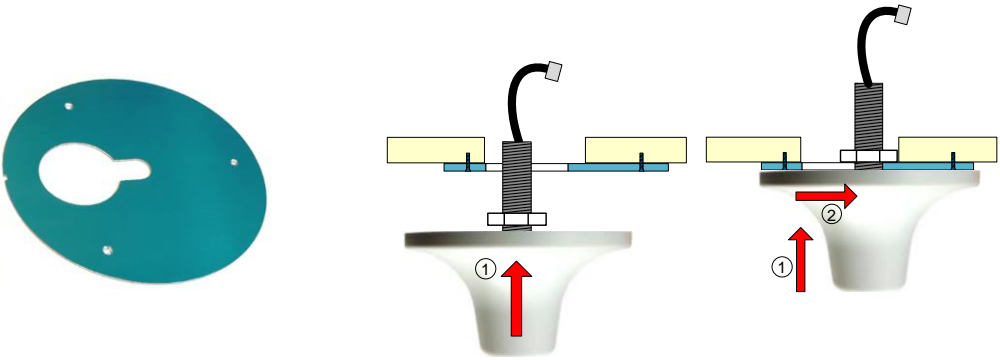
*Mechanical Drawing and Installation Guide*

1. Standard Ceiling Mounting



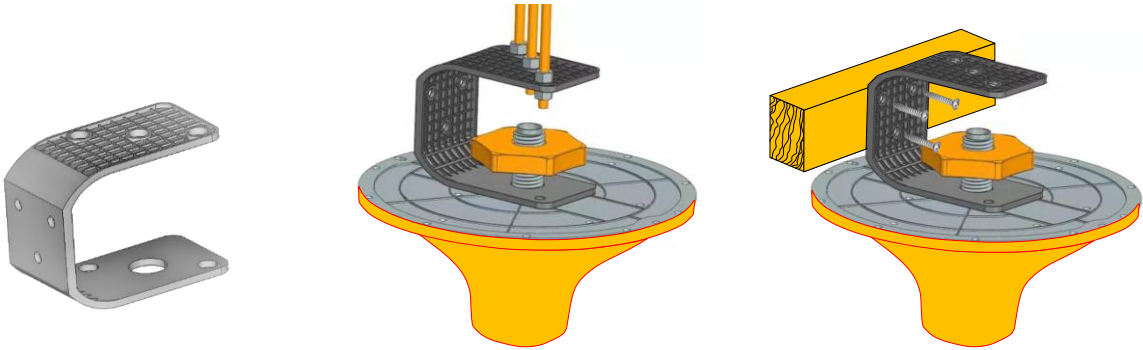
2. Hard Ceiling Mounting

Mounting Bracket: MT-DA-02. Please refer MT-DA-02 Installation instruction



3. High Ceiling Mounting / Joist Mounting

Mounting Bracket: MT-ND-HC. Please refer MT-ND-HC Installation instruction



High Ceiling Mounting

Joist Mounting