

Wide Band Omni Antenna

IX-YQA-V4U / IX-YQN-V4U

380-6000MHz, 4.3-10 Female, N-Female

- Omni antenna wideband covering 380-6000MHz (UHF, 700/800 Public Safety Band, 2G/3G/4G Network, CBRS/C-band and UWB)
- Suitable for Indoor application and compact and cost-effective design
- Supporting flammability UL-94-V0 rating



Electrical Specification

Product Model	IX-YQA-V4U / IX-YQN-V4U					
Frequency (MHz)	380-520	617-960	1695-2300	2300-3300	3300-4200	5100-6000
Gain (dBi)	1.9	2.3	3.5	4.4	4.8	5.2
Polarization	Vertical					
Beamwidth Horizontal (°)	360					
VSWR	2.5	1.7	1.7	1.8	1.8	1.8
PIM (dBc)	< -153 @2 x 43dBm					
Average Power, max (W)	50					
Impedance (ohm)	50					

Mechanical Specification

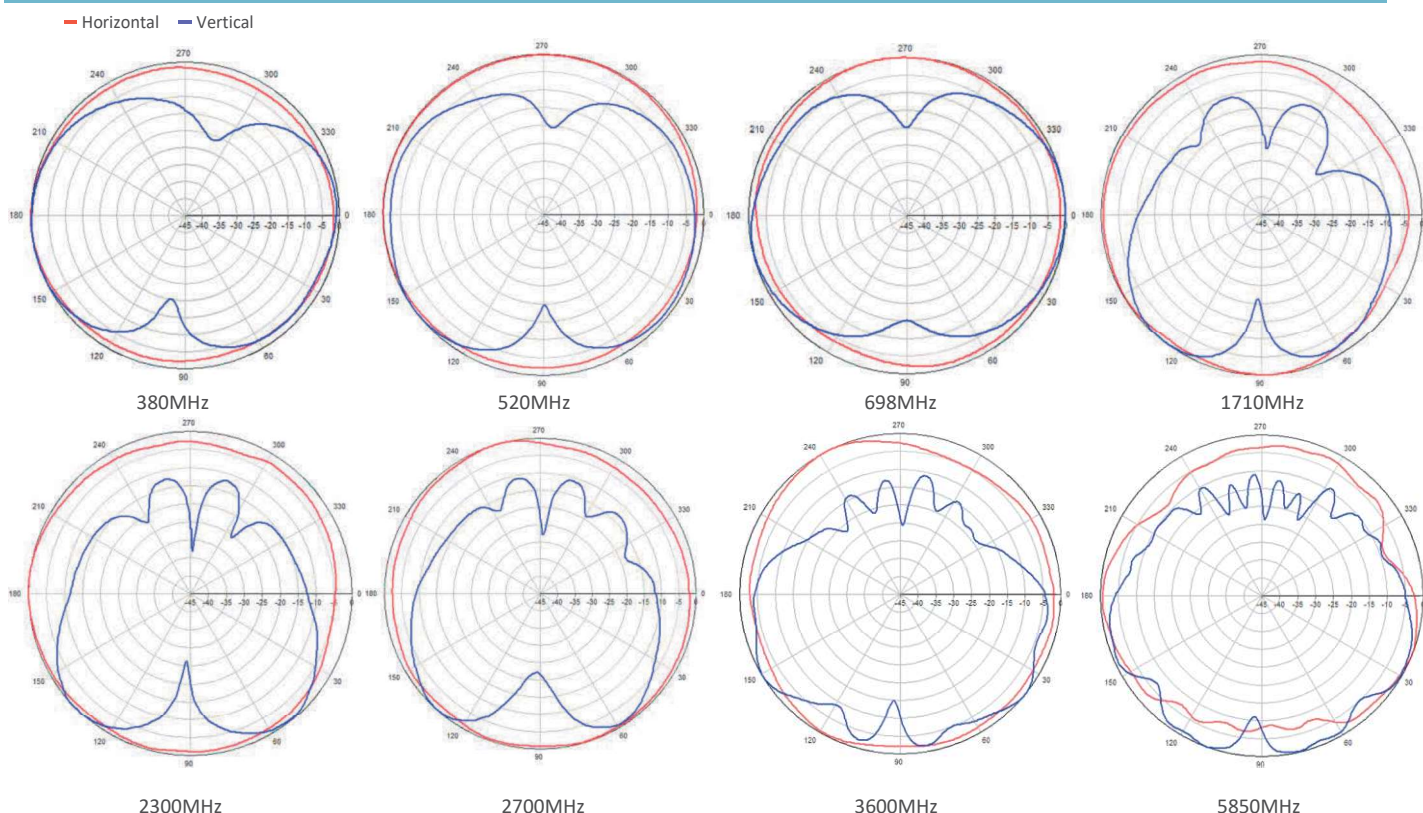
Dimension Diameter, height (in/mm)	Ø 11.7x 5.98 / Ø 298 x 152
Weight (lb./kg)	1.99 / 0.9
Shipping Dimension(in/mm)	9.84x9.45x10.0/ 250.0x240.0x255.0
Shipping Weight(lb./kg)	2.38 / 1.08
Radome Material & color	ABS, White, RAL9003
Flammability	UL-94-V0, plenum rated 1ft pigtail cable
Mounting	Ceil Mount 4.3-10 female: IX-YQA-V4U, N-female: IX-YQN-V4U Option1: Hard Ceiling mount bracket (MT-DA-01) Option2: High Ceiling or Joist mount bracket (MT-ND-HC)

Environment & Compliance

Application	Indoor
Operating Temperature	-55°C to +70C
Relative Humidity	Up to 95%
RoHS	Compliant
Environment	IP54*

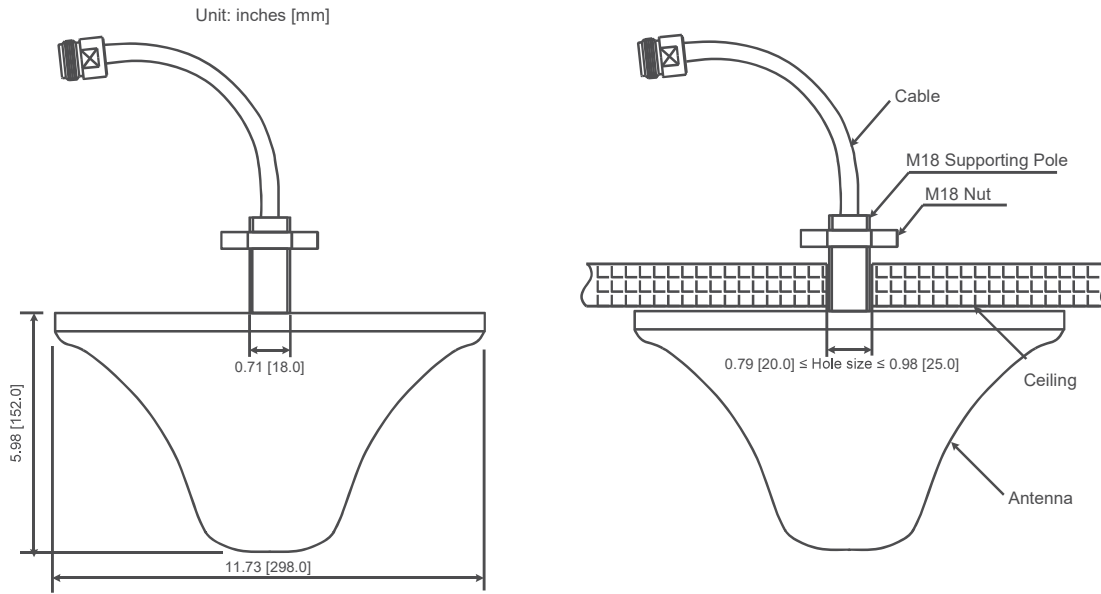
*Note: Recommended for indoor application and the antenna can be used "outdoor garage rated".

Antenna Pattern



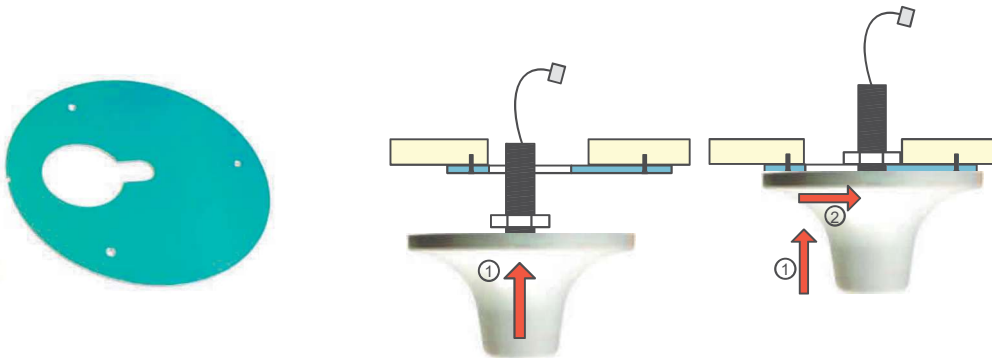
Mechanical Drawing and Installation Guide

1. Standard Installation



2. Hard Ceiling Mounting

Mounting Bracket: MT-DA-01. Please refer MT-DA-01 Installation instruction



3. High Ceiling Mounting / Joist Mounting

Mounting Bracket: MT-ND-HC. Please refer MT-ND-HC Installation instruction

