

Indoor Wide Band Omni Antenna

IX-YUN-V5P

380-4200MHz, N-Female

- Omni antenna wideband covering 380-4200MHz (UHF/700/800 Public Safety Band, 3G&4G LTE, CBRS and C-Band)
- Suitable for Indoor application
- Compact ceiling mount and cost-effective design



Electrical Specification

Product Model	IX-YUN-V5P			
Frequency (MHz)	380-698	698-960	1695-2700	3300-4200
Gain (dBi)	2.0 ± 1.0	3.0 ± 1.5	6.5 ± 1.5	6.5 ± 1.5
Polarization	Vertical			
Beamwidth Horizontal (°)	360			
VSWR	≤ 2.2	≤ 2.2	≤ 2.0	≤ 2.0
Average Power, max (W)	50			
Impedance (ohm)	50			

Mechanical Specification

Dimension Diameter, height (in/mm)	Ø 12.6x 6.9 / Ø 320 x 175
Weight (lb./kg)	1.6 / 0.7
Shipping Dimension(in/mm)	10.9 x 10.9 x 10.9 / 275 x 275 x 275
Shipping Weight(lb./kg)	2.0 / 0.9
Radome Material & color	ABS, White
Mounting/Connector type	Ceil Mount, N-female
	Option1: Hard Ceiling mount bracket (MT-DA-01)
	Option2: High Ceiling or Joist mount bracket (MT-ND-HC)

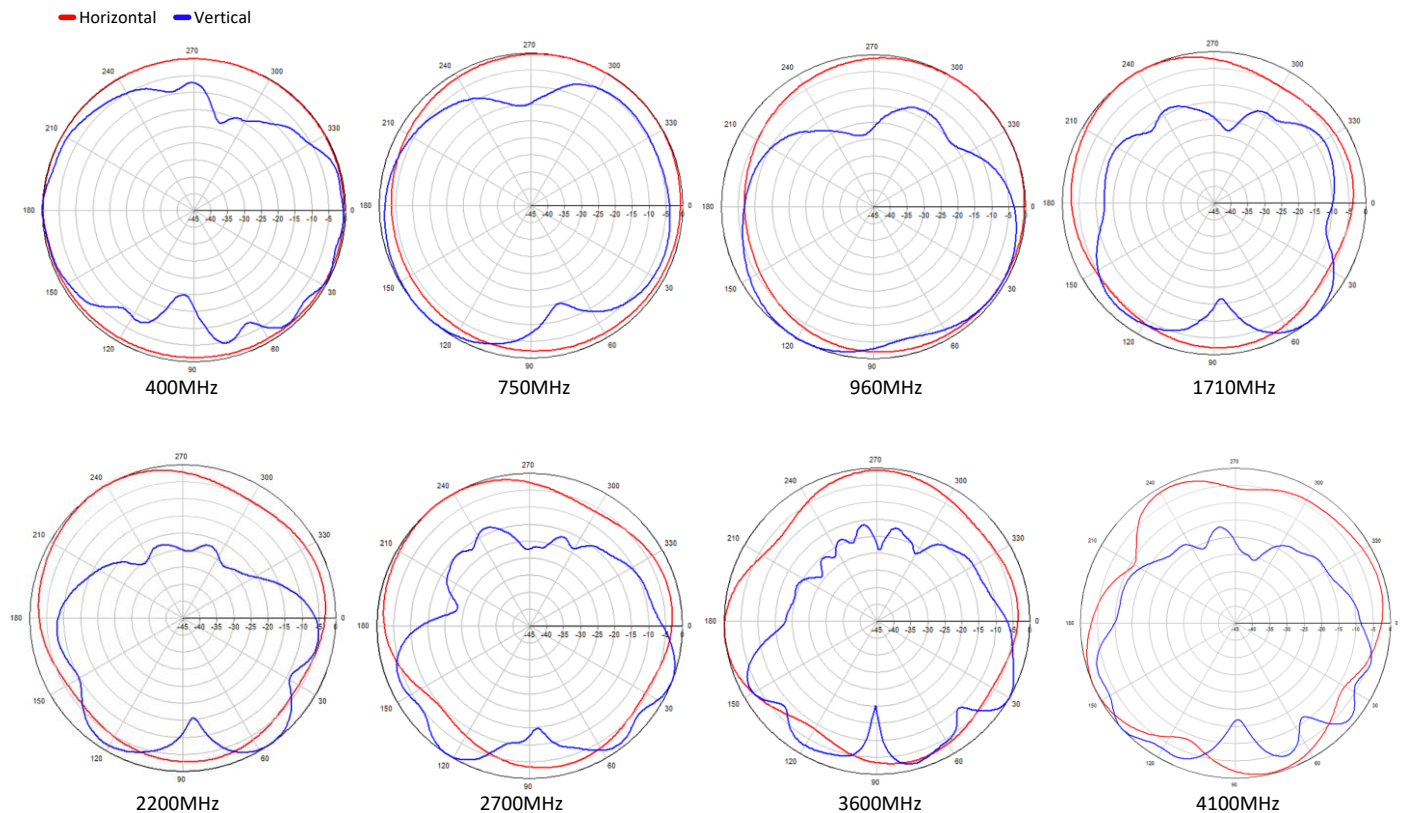
Environment & Compliance

Application	Indoor*
Operating Temperature	-40°C to +70°C
Relative Humidity	Up to 95%
RoHS	Compliant
Environment	NA

* Note: Recommended for indoor application and the antenna can be used "outdoor garage rated"

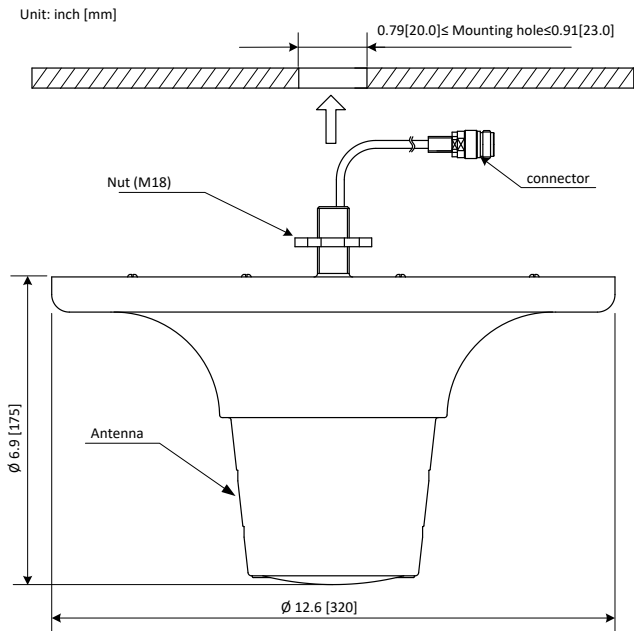
** Note: Acceptable mounting backplanes; drywall, metal J boxes, Plastic or Fiberglass J boxes

Antenna Pattern

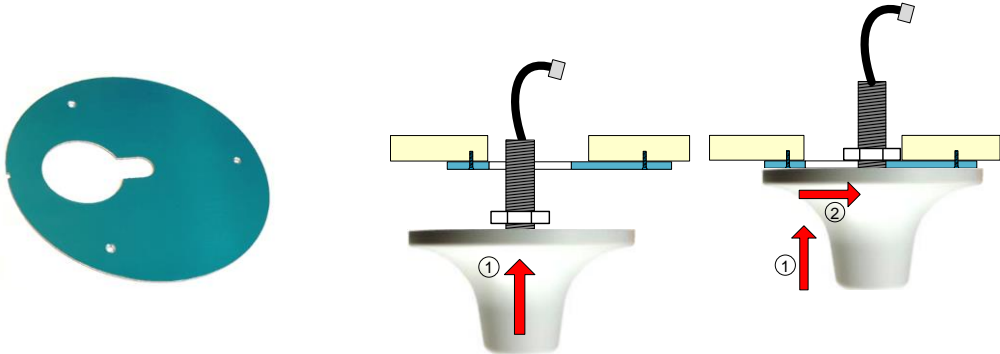


Mechanical Drawing and Installation Guide

1. Standard Ceiling Mounting



2. Hard Ceiling Mounting
Mounting Bracket: MT-DA-01. Please refer MT-DA-01 Installation instruction



3. High Ceiling Mounting / Joist Mounting
Mounting Bracket: MT-ND-HC. Please refer MT-ND-HC Installation instruction

