

Indoor Wide Band Omni Antenna

IXD-360V05NT40-RT

698-2700MHz, N-Female

Supports Comba Antenna Monitoring System

- Omni antenna wideband covering 698-2700MHz (700/800 Public Safety Band, 2G/3G/4G Network)
- Suitable for Indoor application, Non-PIM rating
- Compact ceiling mount and cost-effective design
- Radio Frequency Identification tag preinstalled to communicate with the CriticalPoint™ Antenna Monitoring System



Electrical Specification

Product Model	IXD-360V05NT40-RT			
Frequency (MHz)	698-806	806-960	1695-2200	2300-2700
Gain (dBi)	2.0 ± 0.5	2.2 ± 0.5	5.3 ± 0.5	5.5 ± 0.5
Polarization	Vertical			
Beamwidth Horizontal (°)	360			
VSWR	≤ 2.0	≤ 1.8	≤ 1.5	≤ 1.5
Average Power, max (W)	50			
Impedance (ohm)	50			

Mechanical Specification

Dimension Diameter, height (in/mm)	Ø 7.3x 3.3 / Ø 186 x 83
Weight (lb/kg)	0.6 / 0.25
Shipping Dimension(in/mm)	5.9 x 6.3 x 7.1 / 150.0 x 160.0 x 180.0
Shipping Weight (lb/kg)	1.1 / 0.5
Radome Material & color	ABS, White
Mounting**	Ceiling Mount
Connector type	N-Female

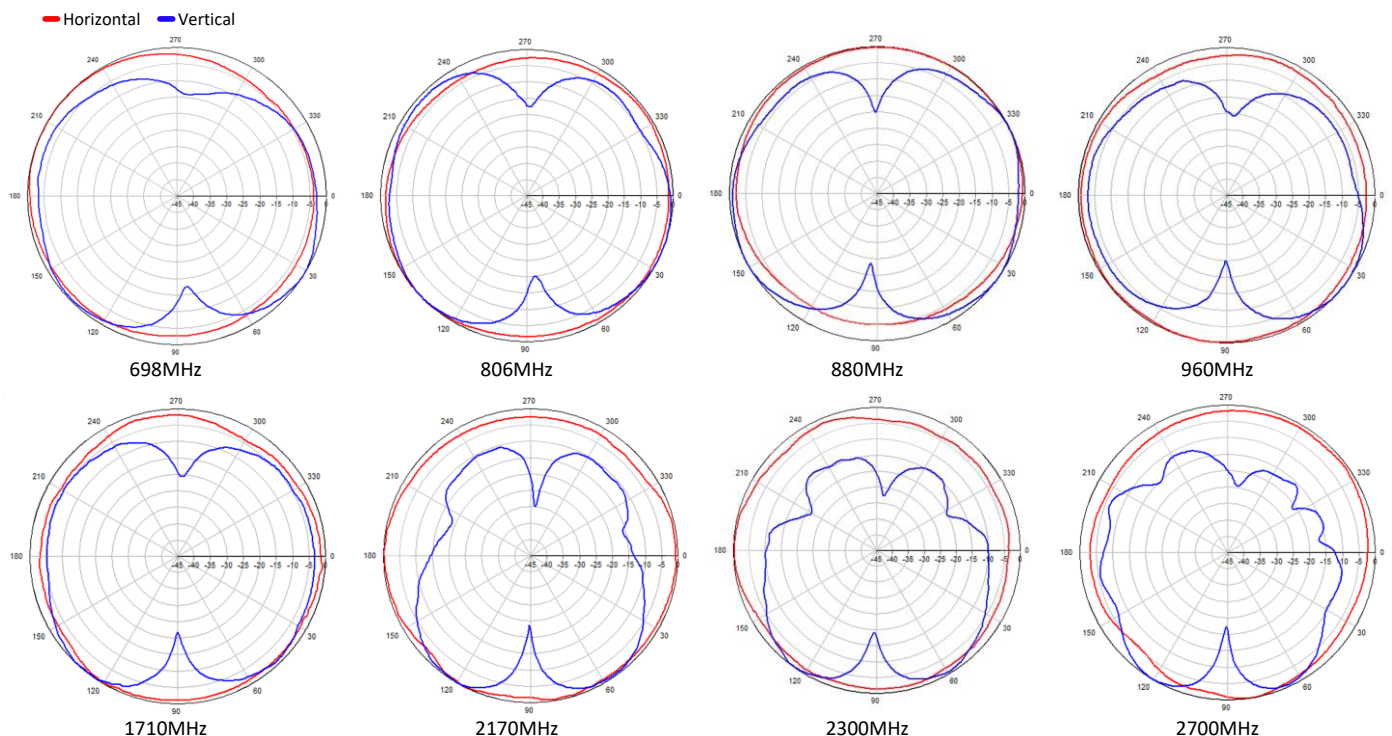
Environment & Compliance

Application	Indoor*
Operating Temperature	-55°C to +70°C
Relative Humidity	Up to 95%
RoHS	Compliant

* Note: Recommended for indoor application and the antenna can be used "outdoor garage rated"

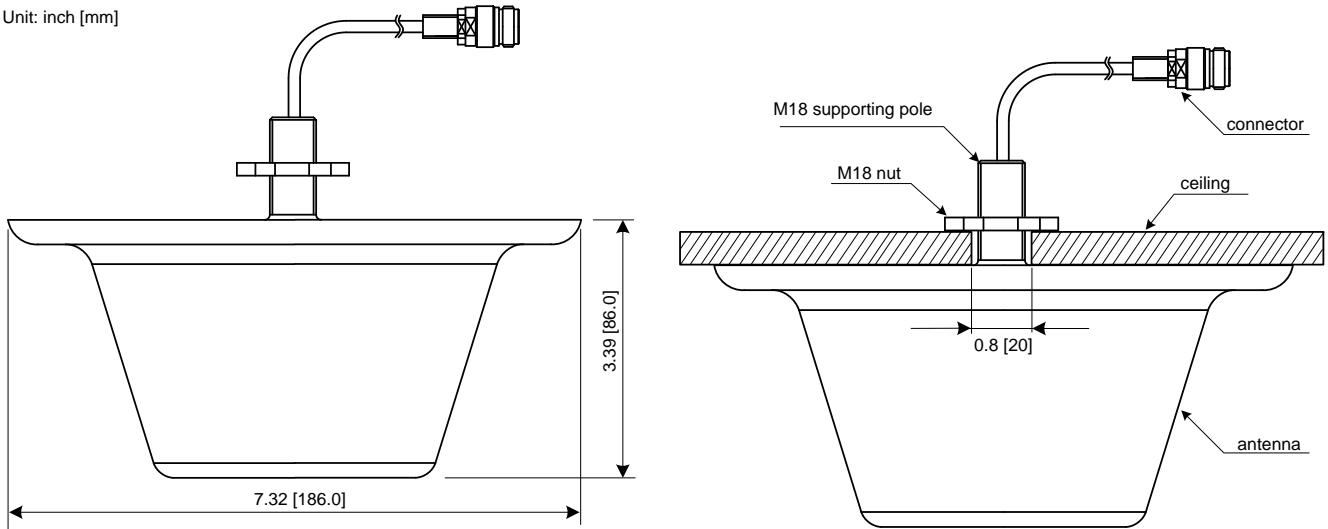
** Note: Acceptable mounting backplanes; drywall, metal J boxes, Plastic or Fiberglass J boxes, MT-DA-02 mounting kit required for hard ceiling

Antenna Pattern



Mechanical Drawing and Installation Guide

Unit: inch [mm]



Please refer MT-DA-02 mounting kit installation guide for hard ceiling mount