

Wide Band Omni Antenna

IXL-MJN-H4U

698-2700MHz, N-Female, Low profile

- Omni antenna wideband covering 698-2700MHz (700/800 Public Safety Band, 2G/3G/4G Network)
- Low Profile and suitable for Indoor application
- Compact and cost-effective design
- Supporting flammability UL-94-V0 rating



Electrical Specification

Product Model	IXL-MJN-H4U		
Frequency (MHz)	698-806	806-960	1695-2700
Gain (dBi)	2.2 ± 0.5	3.5 ± 0.5	4.5 ± 1.0
Polarization	Horizontal		
Beamwidth Horizontal (°)	360		
VSWR	≤ 1.5	≤ 1.5	≤ 1.5
PIM (dBc)	< -153 @2 x 43dBm		
Average Power, max (W)	50		
Impedance (ohm)	50		

Mechanical Specification

Dimension Diameter, height (in/mm)	Ø 8.7x 0.7 / Ø 220 x 18
Weight (lb./kg)	0.7 / 0.3
Shipping Dimension(in/mm)	8.9x8.7x3.6 / 225x220x90
Shipping Weight(lb./kg)	1.1/ 0.5
Radome Material & color	ABS, White, RAL9003
Flammability	UL-94-V0
Mounting/Connector type	Ceil Mount, N-female
	Option: High Ceiling or Joist mount bracket (MT-ND-HC)

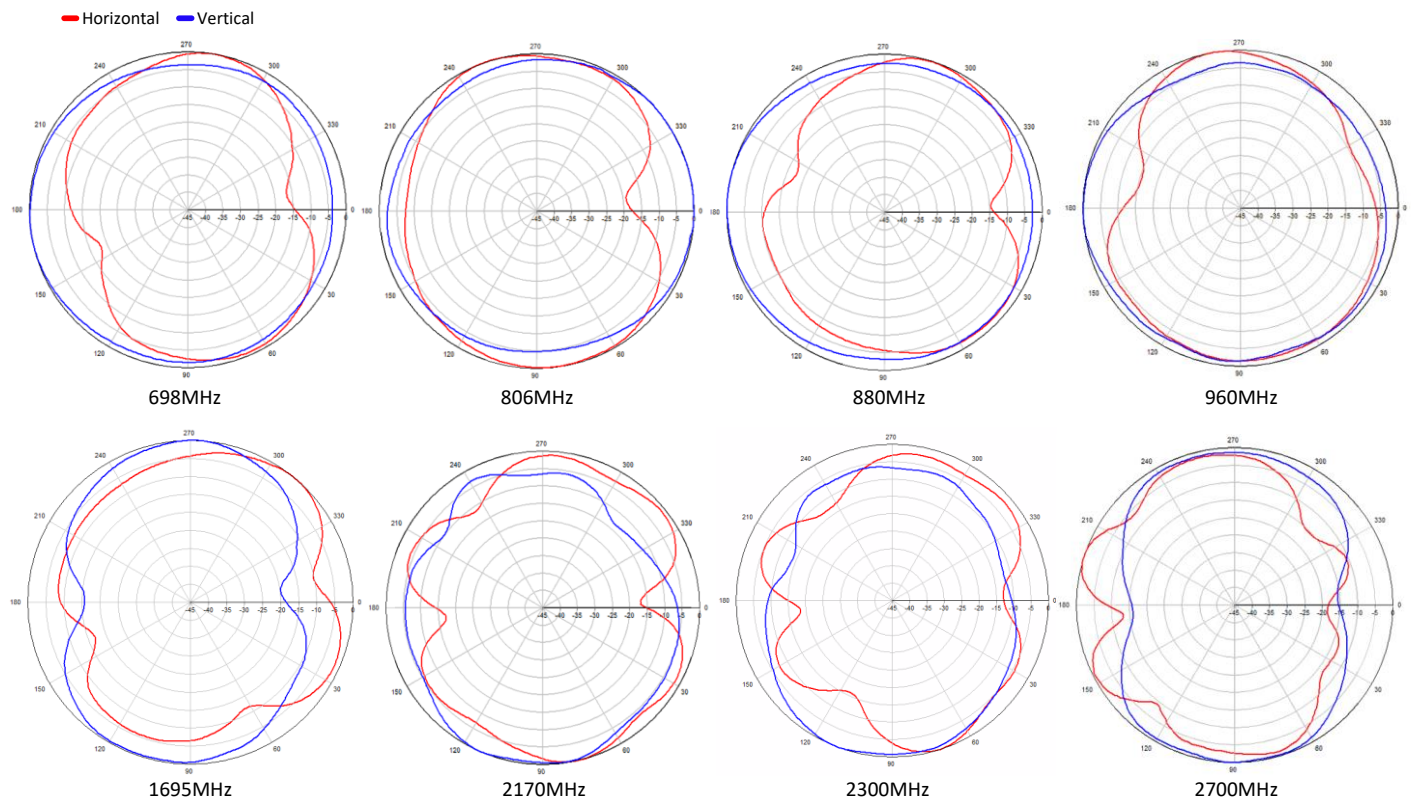
Environment & Compliance

Application	Indoor
Operating Temperature	-55°C to +70C
Relative Humidity	Up to 95%
RoHS	Compliant
Environment	IP54*

*Note: Recommended for indoor application and the antenna can be used "outdoor garage rated".

*Note: Not recommended for use with metal J boxes. Plastic or fiberglass J boxes are acceptable.

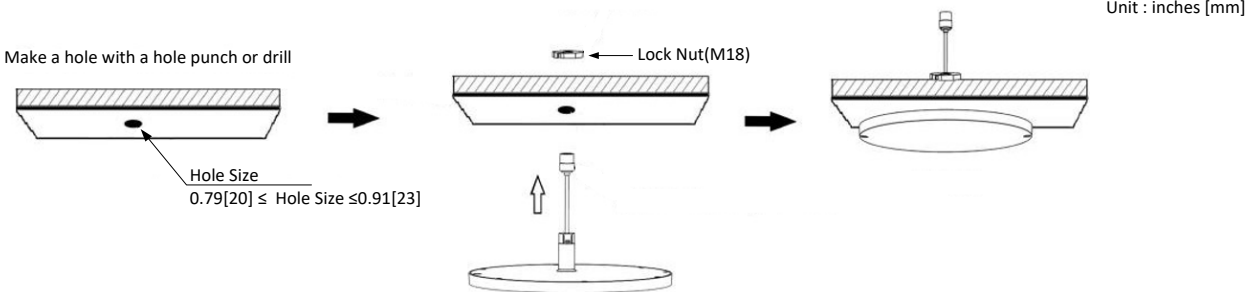
Antenna Pattern



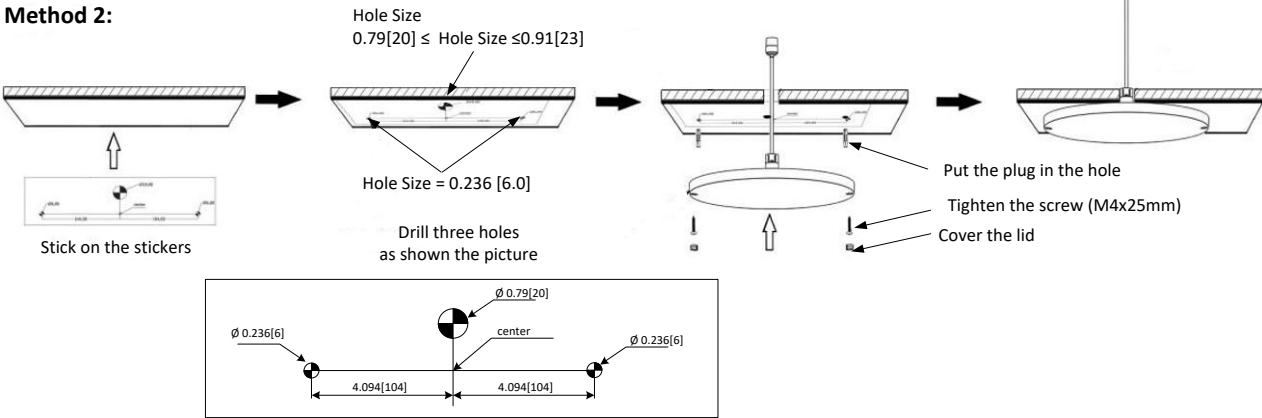
Mechanical Drawing and Installation Guide

1. Standard Installation

Method 1:

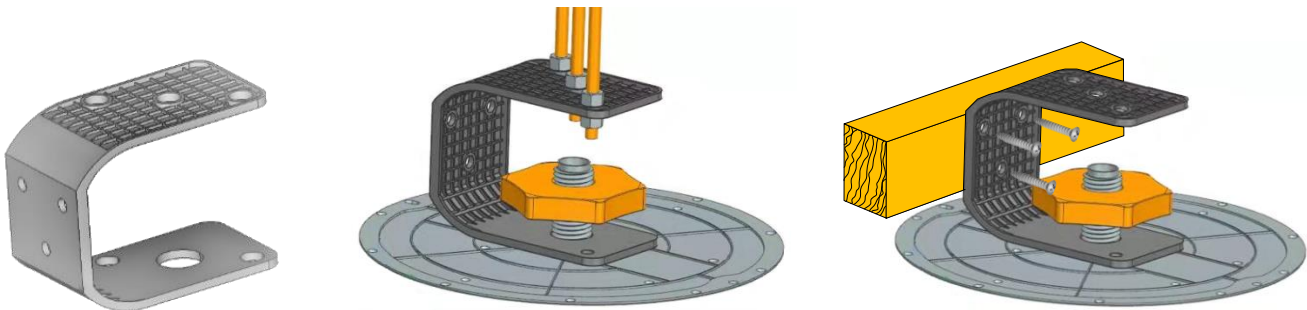


Method 2:



2. Optional Installation

Mounting Bracket: MT-ND-HC. Please refer MT-ND-HC Installation Instruction



High Ceiling Mounting

Joist Mounting