

Indoor Wide Band Omni Antenna

IXL-SQA-H6U / IXL-SQN-H6U

617-6000MHz, 4.3-10 Female, N-female, Low Profile

- Omni antenna wideband covering 617-6000MHz (700/800 Public Safety, 2G/3G/4G, CBRS, C-band, 5G Sub-6GHz)
- Low Profile and suitable for indoor application
- Compact ceiling mount and cost-effective design



Electrical Specification

Product Model	IXL-SQA-H6U / IXL-SQN-H6U				
Frequency (MHz)	617-806	806-960	1690-2700	3300-4200	4900-6000
Gain (dBi)	1.5 ± 0.5	2.2 ± 0.5	4.5 ± 1.0	6.0 ± 1.0	6.0 ± 1.0
Polarization	Horizontal				
Beamwidth Horizontal (°)	360				
VSWR	≤ 1.8	≤ 1.8	≤ 1.8	≤ 1.8	≤ 1.8
PIM (dBc)	≤ -153dBc @2 x 43dBm				
Average Power/ port, max (W)	50				
Impedance (ohm)	50				

Mechanical Specification

Dimension Diameter, height (in/mm)	Ø 8.7 x 0.7 / Ø 220 x 18
Weight (lb./kg)	0.7 / 0.3
Shipping Dimension(in/mm)	8.9x8.7x3.6 / 225x220x90
Shipping Weight(lb./kg)	1.1 / 0.5
Radome Material & Color	ABS, White, RAL9003
Flammability	UL-94-V0
Mounting/Connector type	Ceiling Mount IXL-SQA-H6U; 4.3-10 Female, IXL-SQN-H6U; N-Female

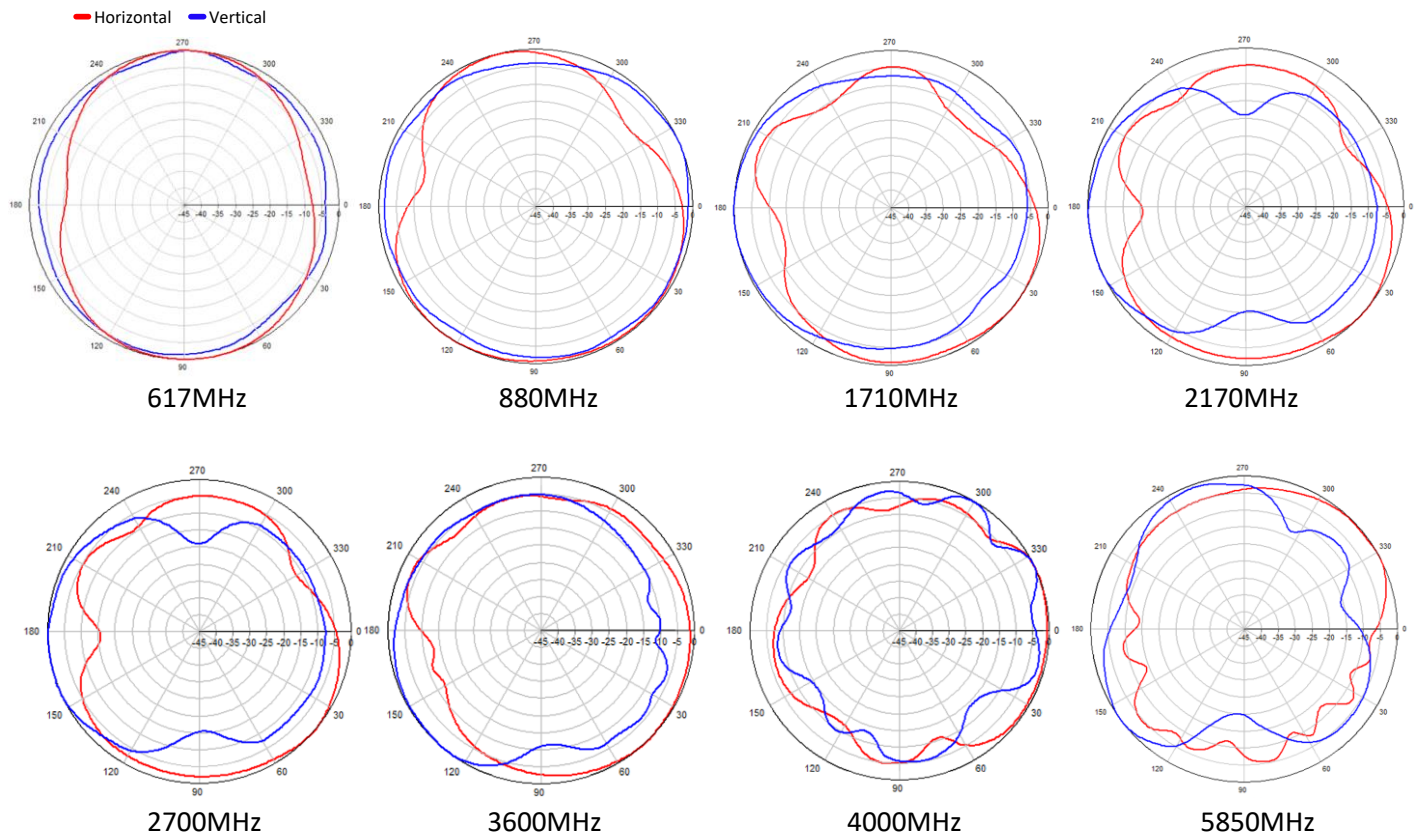
Environment & Compliance

Application	Indoor
Operating Temperature	-40°C to +70°C
Relative Humidity	Up to 95%
RoHS	Compliant
Environment	IP54

*Note: Recommended for indoor application and the antenna can be used "outdoor garage rated".

*Note: Not recommended for use with metal J boxes. Plastic or fiberglass J boxes are acceptable.

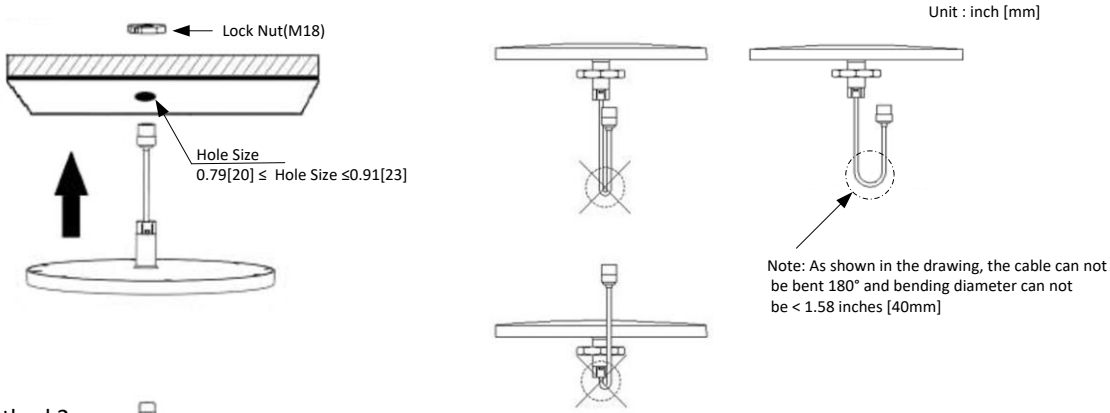
Antenna Pattern



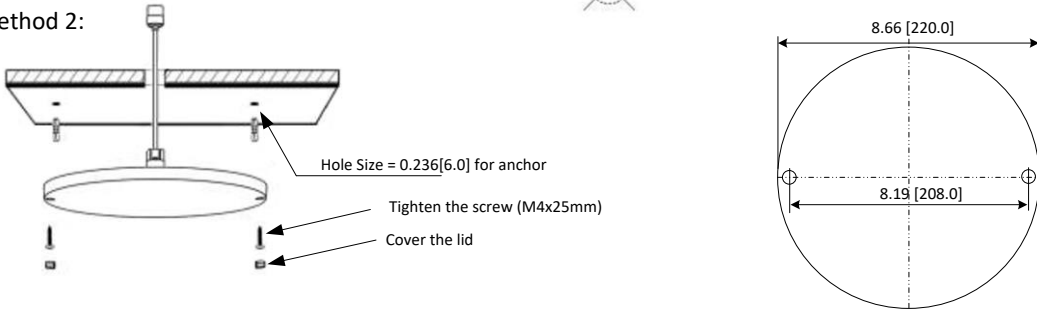
Mechanical Drawing and Installation Guide

1. Standard Installation

Method 1:



Method 2:



2. Optional Installation

Mounting Bracket: MT-ND-HC. Please refer MT-ND-HC Installation Instruction

