

Indoor Wide Band Omni Antenna

IXL-YJN-H4PU

380-2700MHz, N-Female, Low Profile

- Omni antenna wideband covering 380-2700MHz (UHF/700/800 Public Safety Band, 2G/3G/4G Network)
- Low Profile and suitable for Indoor application
- Compact ceiling mount and cost-effective design
- Supporting flammability UL-94-V0 rating



Electrical Specification

Product Model	IXD-360H04YJN		
Frequency (MHz)	380-520	698-960	1695-2700
Gain (dBi)	2.0 ± 1.0	2.2 ± 1.0	4.5 ± 1.0
Polarization	Horizontal		
Beamwidth Horizontal (°)	360		
VSWR	≤ 2.0	≤ 2.0	≤ 2.0
Average Power, max (W)	50		
Impedance (ohm)	50		

Mechanical Specification

Dimension Diameter, height (in/mm)	∅ 10.5x 0.7 / ∅ 266 x 18
Weight (lb./kg)	0.9 / 0.4
Shipping Dimension(in/mm)	11.0x10.8x3.9 / 280x275x100
Shipping Weight(lb./kg)	1.6/ 0.7
Radome Material & Color	ABS, White, RAL9003
Flammability	UL-94-V0
Mounting/ Connector type	Ceil Mount / N-Female

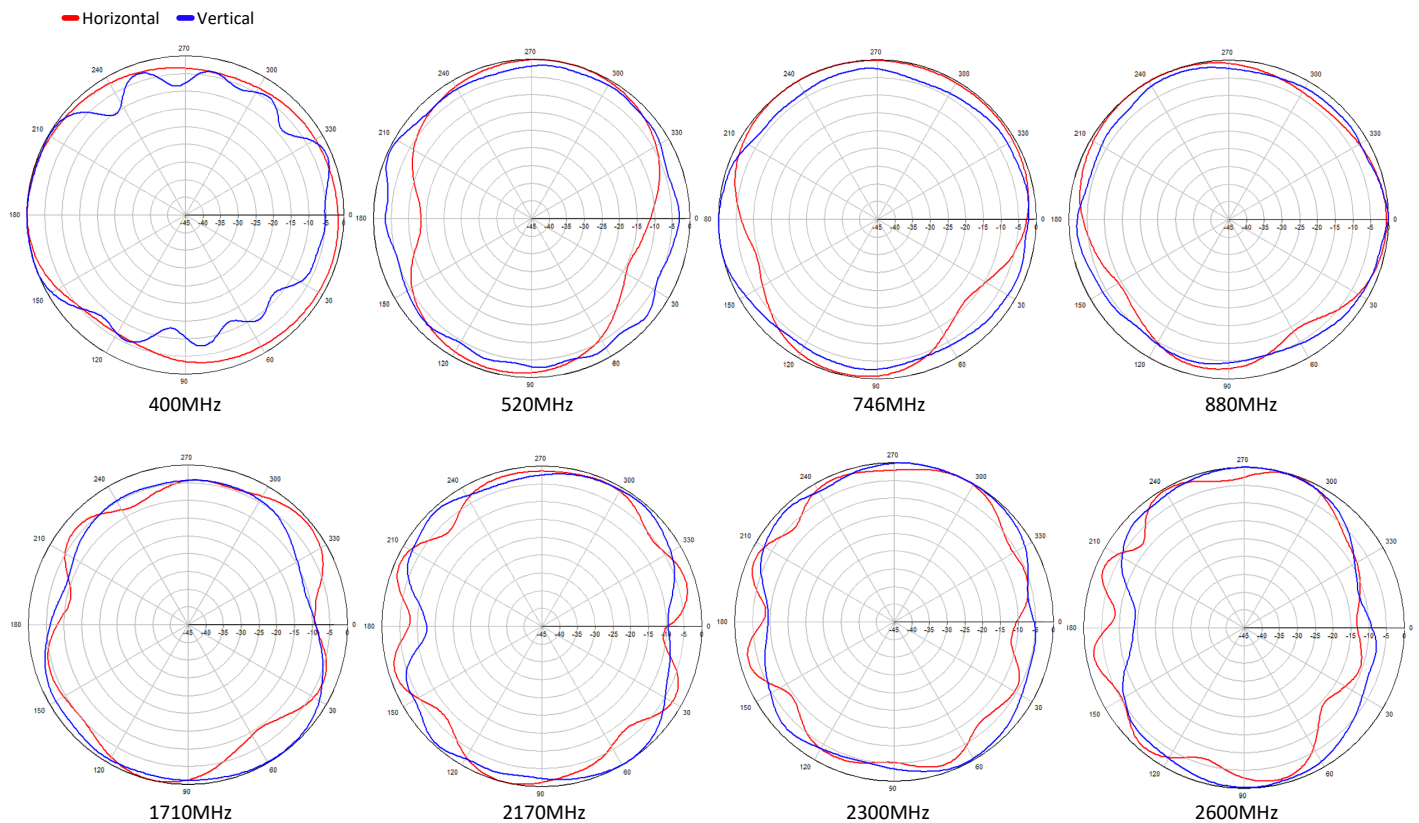
Environment & Compliance

Application	Indoor
Operating Temperature	-40°C to +70°C
Relative Humidity	Up to 95%
RoHS	Compliant
Environment	IP54*

*Note: Recommended for indoor application and the antenna can be used "outdoor garage rated".

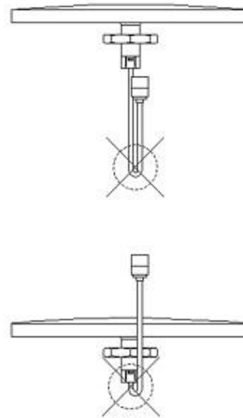
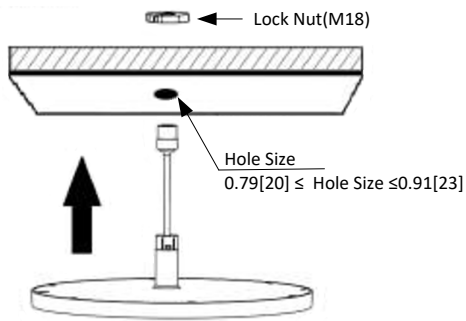
*Note: Not recommended for use with metal J boxes. Plastic or fiberglass J boxes are acceptable.

Antenna Pattern



Mechanical Drawing and Installation Guide

Method 1:



Unit : inch [mm]

Note: As shown in the drawing, the cable can not be bent 180° and bending diameter can not be < 1.58 inches [40mm]

Method 2:

