

T-Grid Antenna Mounting Kit

MT-ND-TG

Universal Antenna bracket for T-Grid Ceiling installation



- 24-inch T-Grid Antenna Bracket designed for universal indoor ceiling mounting antennas
- Compatible for following antennas
 1. Low-profile IXL-MJN-H4U, IXL-YJN-H4PU, IXL-SQx-H6U
 2. Regular cone shape IX-MJx-V3U, IX-MJN-V3P, IX-YUN-V5P, IX-YQx-V4U
- Heavy-Duty bracket
 1. Max bearing load; 26.5 lb. /12 kg
 2. Max bending load; 30.9 lb./14 kg

Installation Instruction

1. Parts for installation

No	Part Name
1	Antenna
2	Antenna mounting plastic nut. M18
3	Antenna mounting frame
4	Antenna bracket for height adjustment
5	Screws for the frame mounting
6	Screws for antenna mounting height adjustment
7	T-Grid heavy duty clips

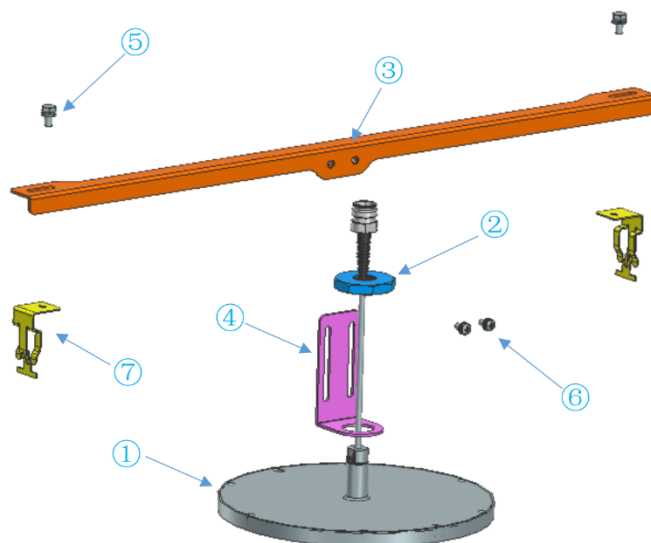


Fig 1. Parts for installation

2. Create a hole in the acoustic ceiling board, ensuring that it is slightly larger than the pole for the antenna. The typical diameter of the hole is 0.79 inches [20mm].

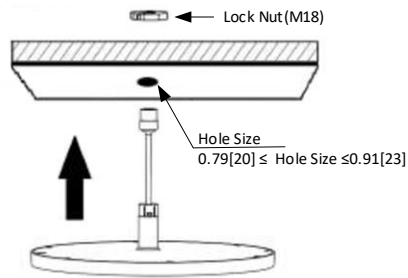


Fig 2. Making hole on the acoustic ceiling board

3. Pre-assemble the antenna bracket (4) and the antenna (1) & (2) with the acoustic ceiling board and then install the assembly onto T-Grid as shown below picture Fig 3

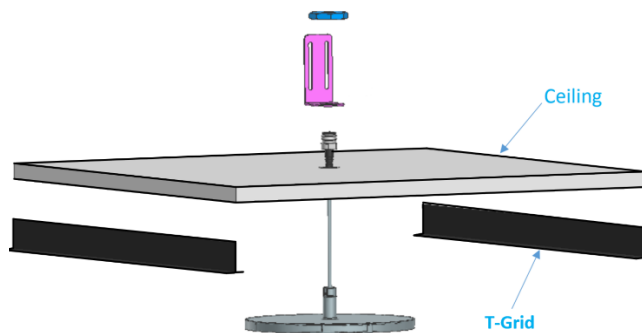


Fig 3 Pre-assemble the antenna and the antenna bracket.

4. Install the clips (7) onto the T-Grid in alignment with where you want to mount the antenna.
5. Install the antenna mounting frame (3) on top of the clips (7) with the screws (5). Do not tighten screws until the antenna frame is aligned with the antenna bracket (4).
6. Assemble the antenna bracket (4) using screw (6) after adjusting the antenna mounting height.
7. Securely tighten screws (5) with the clips (7) once they are aligned.

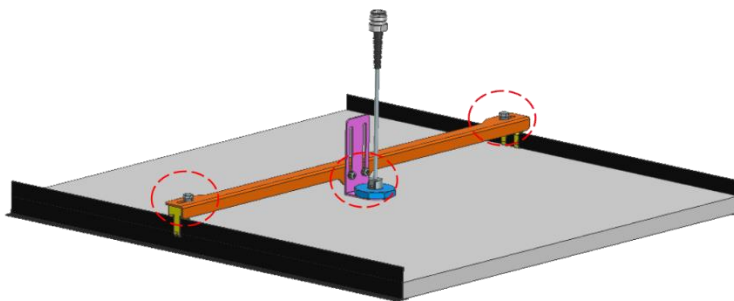
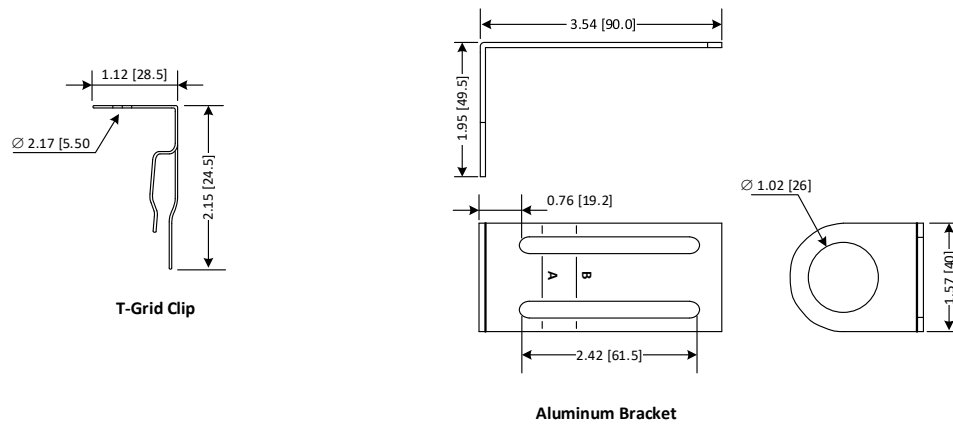
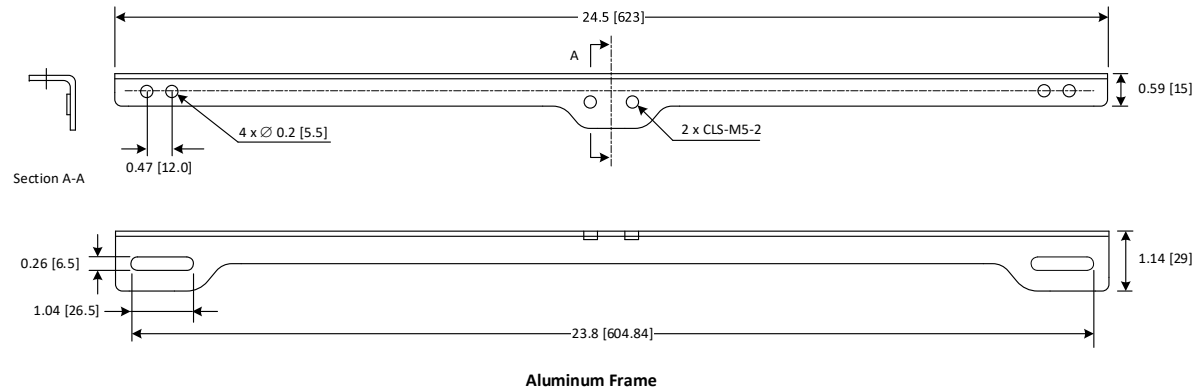


Fig 4. Installation Completion

Drawings

Unit: inches [mm]



Packing List

Item	Parts	Qty
1	Aluminum frame, 2ft length	1
2	Aluminum bracket for height adjustment	1
3	Threaded T-bar clip	2
4	Screws for aluminum frame mount on the clips. Included flat & spring washers, M6x12	2
5	Screws for aluminum bracket. Included flat & spring washers, M5x10	2
7	Packing box	1

Mechanical Specification

Shipping Dimension(in/mm)	25.0x2.36x2.0 / 635x60x50
Shipping Weight(lb./kg)	0.57 / 0.26