

# Installation Instruction of ODP-030V14MN

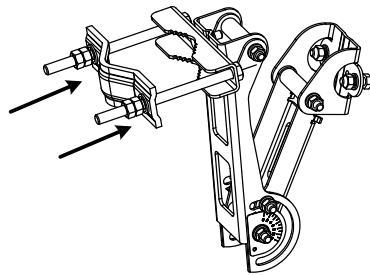
Note: vertical Polarization(default). Antenna port location-bottom left on the back face of the antenna and horizontal polarization(optional). Antenna port location-bottom right



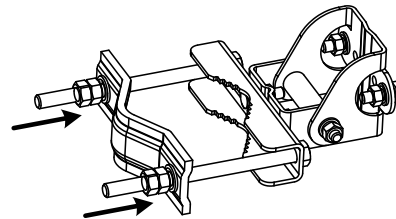
## 1. Installation Instructions(vertical POL.)

### a. Step A

- i. Place the M10 bolts through the splint and the upper mounting bracket of the antenna.
  - ii. Align the lower mounting bracket with the bolts and place it in position.
  - iii. Slide M10 nuts onto the bolts and hand-tighten them.
  - iv. Use a wrench to pretighten (not fully tighten) the M10 nuts on both upper and lower brackets.
- \*Following these steps will ensure that everything is securely assembled before final tightening



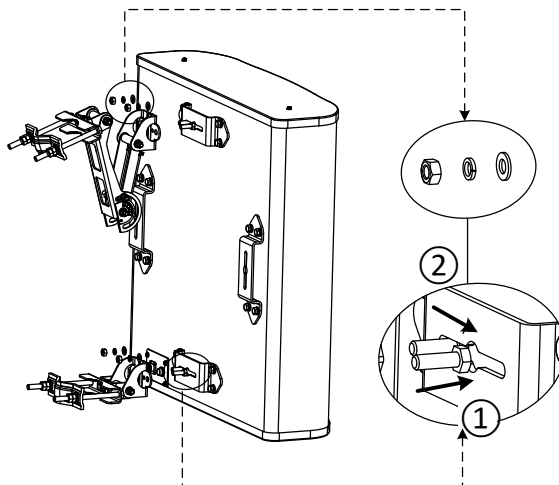
Upper Mounting Bracket



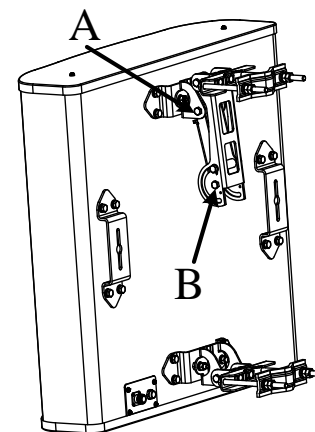
Lower Mounting Bracket

### b. Step B

- i. Place the M8 bolts through the brackets and align them with the holes on the rear of the antenna.
- ii. Slide M8 nuts onto each bolt and hand-tighten them.
- iii. Using a torque wrench, tighten each nut to a torque of 25N/m.



Step B installation



Step C installation

### c. Step C

- i. Set the torque wrench's scale to 0 degrees.
- ii. Place the wrench on the nut and apply pressure in a clockwise direction until you reach the desired torque of 25N/m.
- iii. Using a level or an inclinometer, adjust the mounting bracket until it is tilted to 0 degrees.
- iv. Pre-tighten nuts at points A and B using an appropriate tool such as a wrench or socket wrench.
- v. While tightening, ensure that the upper mounting bracket (long arm) remains vertical and parallel to the back face of the antenna.

## 2. Packing list

Item	Qty
Upper Mounting Bracket	1
Lower Mounting Bracket	1
Carriage bolt (M8x25)	4
Installation Instruction. Hard copy	1