

Outdoor Wide Band Omni Antenna

OOA-360V04MUN

698-4000MHz, N-Female

- Omni antenna wideband covering 698-4000MHz (700/800 Public Safety Band, 2G/3G/4G Network, CBRS band)
- Outdoor application, pole mount, full wind, rain and sun exposure
- Support Pole mount



Electrical Specification

Product Model	OOA-360V04MUN			
Frequency (MHz)	698-806	806-960	1695-2700	3400-4000
Gain (dBi)	2.5	3.0	3.5	4.0
Polarization	Vertical			
Beamwidth Horizontal (°)	360			
Beamwidth Vertical(°)	83	65	45	35
VSWR	≤ 1.8			
PIM (dBc)	< -153 @2 x 43dBm			
Average Power, max (W)	100			
Impedance (ohm)	50			

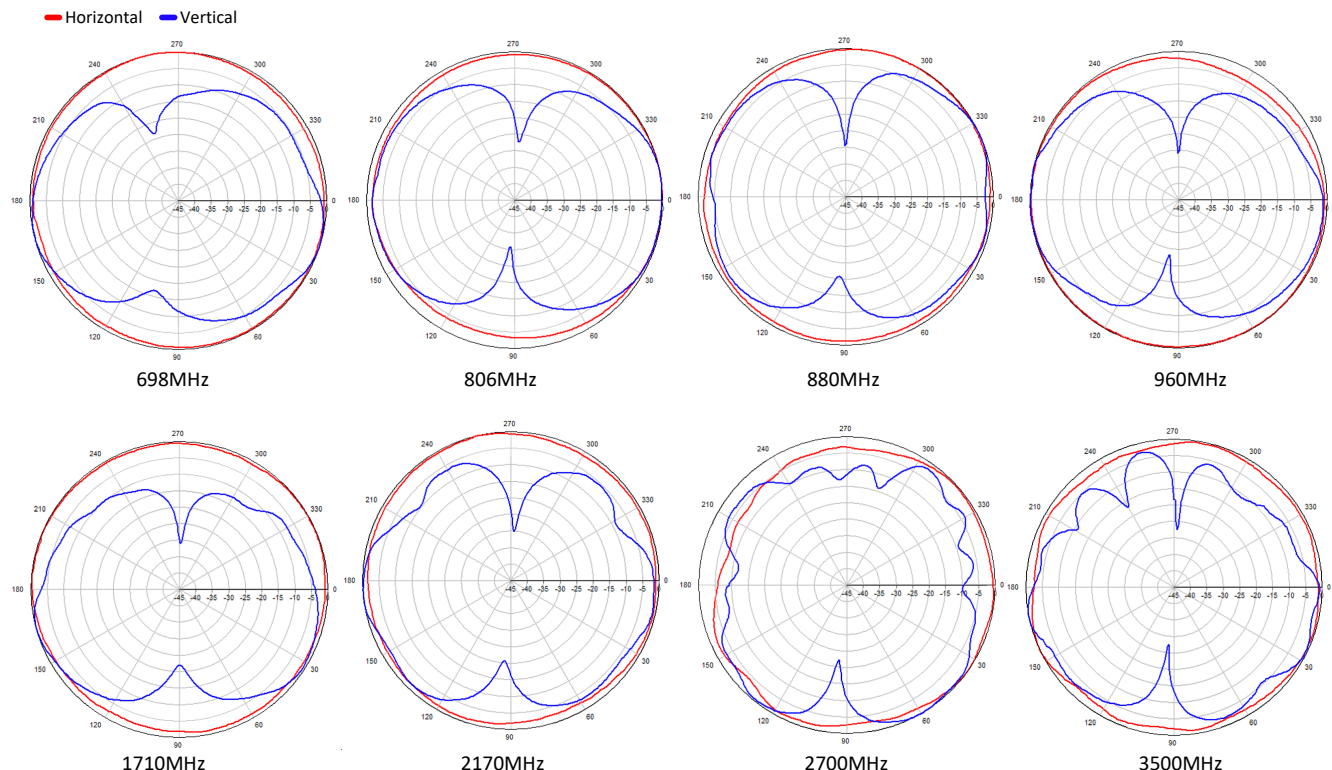
Mechanical Specification

Dimension Diameter, height (in/mm)	Ø 2.6x 8.3 / Ø 67x 211
Weight w/o mounting kit (lb/kg)	0.7 / 0.30
Shipping Dimension(in/mm)	10.2x3.5x3.4 / 260x90x85
Shipping Weight(lb/kg)	0.9 / 0.4
Radome Material & color	ABS, White, RAL9003
Diameter of the mounting pole(in/mm)	Ø1.50 - Ø2.05 / Ø38 - Ø52
Connector type	N-Female

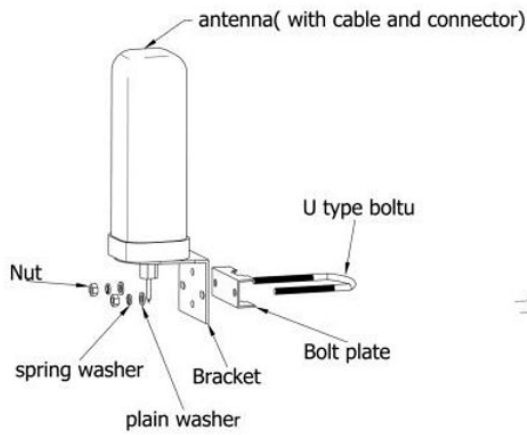
Environment & Compliance

Application	Outdoor
Operating Temperature	-35°C to +85°C
Relative Humidity	Up to 95%
RoHS	Compliant

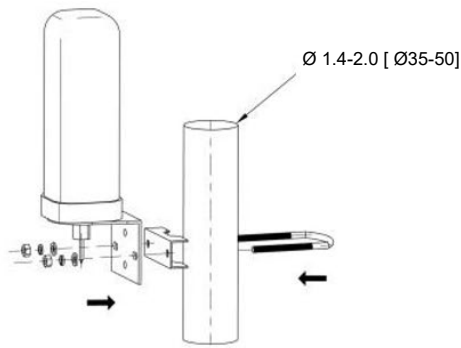
Antenna Pattern



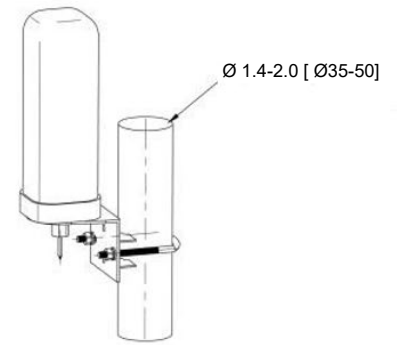
Unit : inch [mm]



Step 1: Please prepare the materials and available tools.



Step 2: The U type bolt and bolt plate are fixed on the pole.



Step 3: fix the antenna body with the bolt plate and u-bolt, and complete installation with the nut lock.