

Outdoor Directional Parabolic Antenna

OPG-022V21MJUN

Narrow Beam Parabolic Antenna, 698-960/1695-2700/3300-4200MHz, N-Female



- 698-960/1695-2700/3300-4200MHz. (4G LTE, 5G NR supporting)
- High gain 13/22/21dBi with N-type connector

Electrical Specification

Product Model	ODG-022V21MJUN		
Frequency (MHz)	698-960	1695-2700	3300-4200
Gain (dBi). Typical	13	22	21
Polarization	Vertical or Horizontal		
Beamwidth Horizontal (°)	21 ± 5	9 ± 5	9 ± 5
Beamwidth Vertical (°)	32 ± 5	14 ± 5	7 ± 5
Front Back Ratio (dB)	≥ 18	≥ 25	≥ 20
VSWR. Typical	2.2	1.9	1.9
Average Power, max (W)	100		
Impedance (ohm)	50		
Lightening Protection	DC Ground		

Mechanical Specification

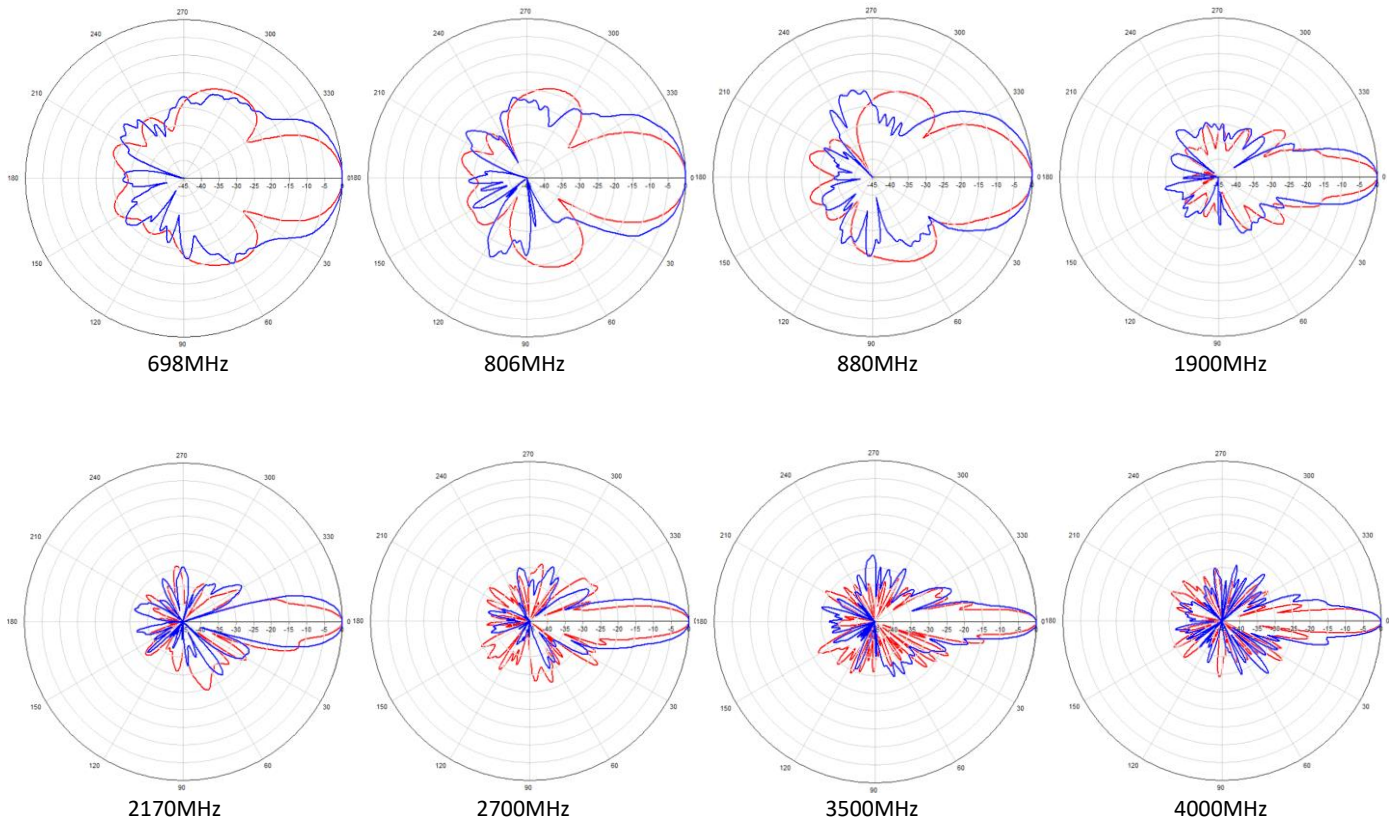
Dimension Diameter, height (in/mm)	23.6x35.4 / 600x900
Weight(lb./kg) with bracket	5.0 / 2.25
Shipping Dimension(in/mm)	23.6x.23.6x7.1 / 600x600x180
Shipping Weight(lb./kg)	10.4 / 4.70
Diameter of the mounting pole (in/mm)	Ø1.4 – 2.0 / Ø35 - 50
Antenna Tilt adjustment (°)	±25
Wind Rating (mph)	134
Connector	N-type Female
Materials	Feeder-ABS/UV resistant and Aluminum holder. Cable -UV resistant, 1ft Bracket, bolts, washers and nuts-Dacromet Coating iron

Environment & Compliance

Application	Outdoor
Operating Temperature	-40°C to +60°C
Relative Humidity	Up to 95%
RoHS	Compliant
Environment	IP-67

Antenna Pattern

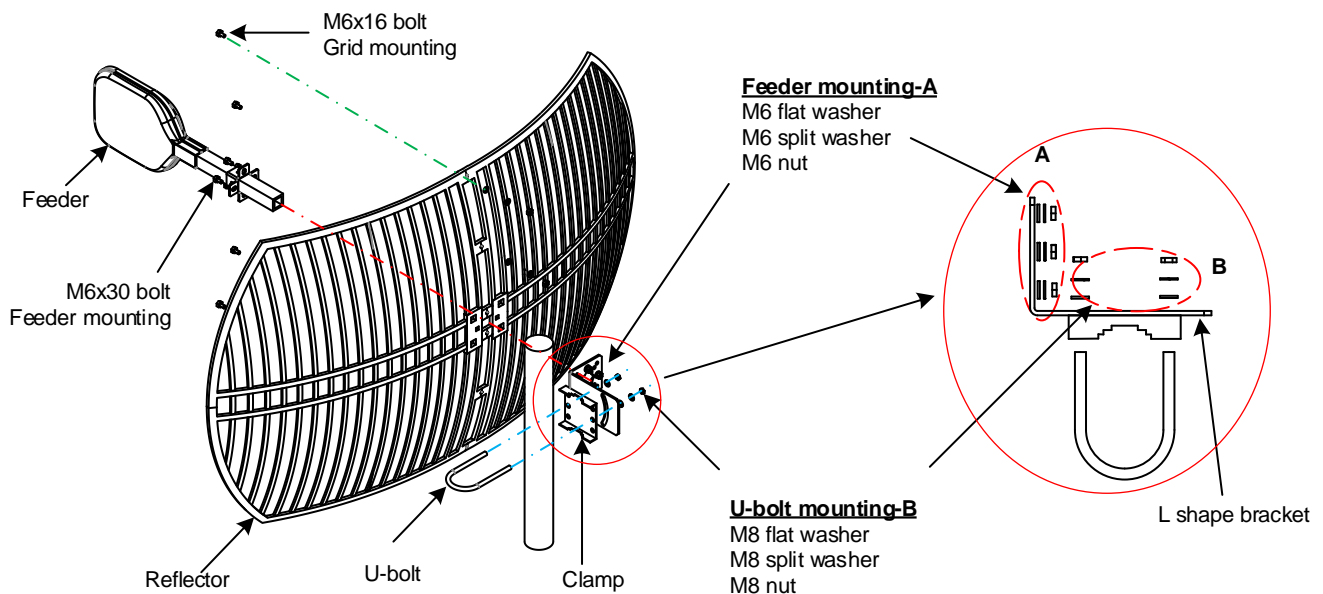
— Horizontal — Vertical



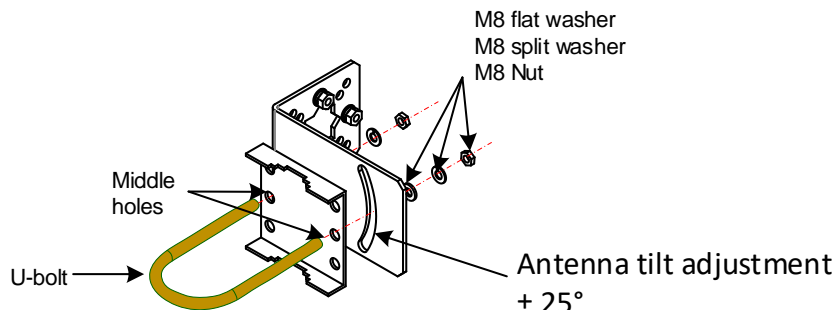
Outline Drawing & Installation Instruction

Installation

1. Assemble the two pieces of the grid reflector using M6x16 bolts, flat washers, split washers, and nuts as shown in the diagram provided.
2. Attach the feeder to the reflector and L-shape bracket using M6x30 bolts, flat washers, split washers, and nuts as shown in the diagram.
3. Securely install the U-bolt to the antenna mounting pole using a clamp and L-shape bracket. Insert flat washers and split washers as needed. Ensure that the U-bolt is inserted into the middle of the holes of the clamp for proper placement.
4. Adjust the antenna tilt angle to aim it in your desired direction, then tighten the nut to securely mount it.



Antenna parts and installation



U-Bolt mounting with clamp and L-shape bracket.