

Ultra Wideband Power Splitter

PS-HS2-ON300CI

PS-HS3-ON300CI

PS-HS4-ON300CI

2/3/4 Way, Low PIM(-161dBc), 555-6000MHz, N-Female

- Reactive type power splitter
- Wideband design covering 555-6000MHz
 - 2G/3G/4G LTE network, CBRS, C-Band and sub-6GHz for 5G
- Suitable for indoor/outdoor environment
- High reliability and low insertion loss



Electrical Specification

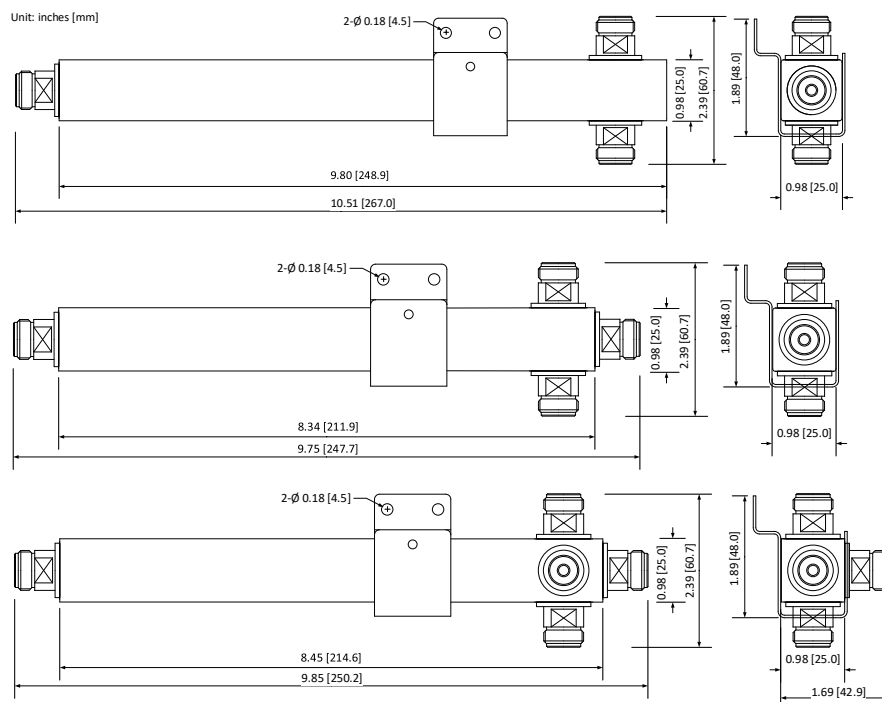
Product Model	PS-HS2-ON300CI	PS-HS3-ON300CI	PS-HS4-ON300CI
	2-Way	3-Way	4-Way
Frequency (MHz)	555-6000		
Split Loss (dB)	3.2	4.8	6.0
Insertion Loss (dB)			
@555-2700MHz	≤ 0.30	≤ 0.50	≤ 0.80
@2700-4200MHz	≤ 0.30	≤ 0.50	≤ 0.80
@4200-5000MHz	≤ 0.30	≤ 0.70	≤ 1.20
@5000-6000MHz	≤ 0.30	≤ 0.80	≤ 1.30
VSWR @ input port	≤ 1.25	≤ 1.30	≤ 1.30
PIM (dBc)	≤ -161 @ 2 x 43dBm		
Average Power, max (W)	300		
Peak Power, max (W)	1000		
Impedance (ohm)	50		

Mechanical Specification

Dimension (in/mm)	10.51x2.39x0.98 / 267.0x60.7x25.0	9.75x2.39x0.98 / 247.7x60.7x25.0	9.85x2.39x1.69 / 250.2x60.7x42.9
Weight (lb/kg)	0.93 / 0.42	0.93 / 0.42	0.95 / 0.43
Shipping Dimension (in/mm)	12.40x3.03x1.65 / 315.0x77.0x42.0	11.22x3.07x1.50 / 285.0x78.0x38.0	11.22x3.07x1.97 / 285.0x78.0x50.0
Shipping Weight (lb/kg)	1.1 / 0.50	1.1 / 0.50	1.1 / 0.51
Connector Type	N-Female	N-Female	N-Female

Outline Drawing

Unit: inches [mm]



Environment & Compliance

Application	Indoor / Outdoor
Operating Temperature	-35°C to +85°C
Environment	IP65
Relative Humidity	Up to 95%
RoHS	Compliant