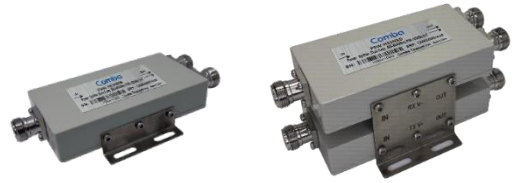


Wideband Power Splitter

PSW-HS2NXB / PSW-HS3NXB / PSW-HS4NXB/ PSW-HS2NXDB

PSW-HS2AXB / PSW-HS3AXB / PSW-HS4AXB

2 & 3Way, 555-6000MHz, N-Female, 4.3-10 Female



- Wilkinson power splitter
- Wideband design covering 555-6000MHz
- Suitable for indoor/outdoor environment
- High reliability and low insertion loss

Electrical Specification

Product Model (4.3-10)	PSW-HS2AXB	PSW-HS3AXB	PSW-HS4AXB
Product Model (N-type)	PSW-HS2NXB	PSW-HS3NXB	PSW-HS4NXB
Product Model (N-type, Dual))	PSW-HS2NXDB	-	-
Split	2-Way	3-Way	4-Way
Frequency (MHz)		555-6000	
Split Loss (dB)	3.0	4.8	6.0
Insertion Loss. typical (dB)			
555-2700MHz	0.4	0.7	1.0
2700-4200MHz	0.5	0.8	1.1
4200-6000MHz	0.6	1.3	1.1
Isolation. typical (dB)			
555-617MHz	20	18	17
617-6000MHz	19	18	17
VSWR @ all ports. typical			
555-617MHz	1.3	1.4	1.3
617-6000MHz	1.25	1.3	1.3
PIM (dBc)		-153 @ 2x 43dBm	
Average Power, max			
Splitting	46.0dBm	44.8dBm	44.8dBm
Combining	22.0dBm	22.0dBm	22.0dBm
Impedance (ohm)		50	

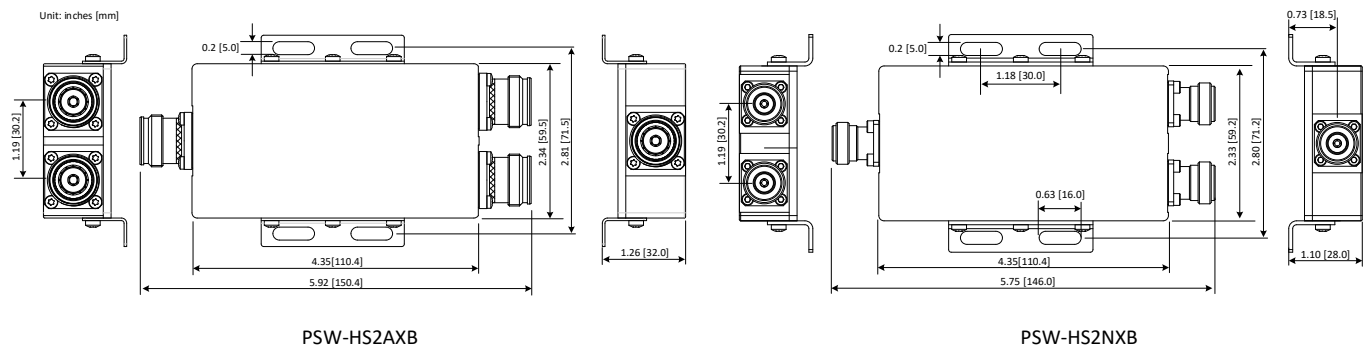
Mechanical Specification

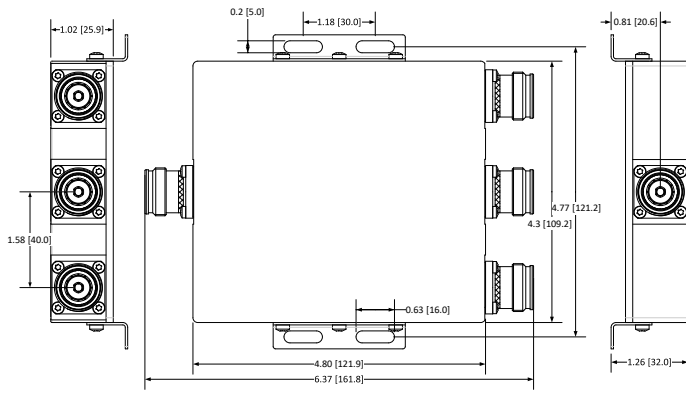
Dimension (in/mm)	4.35x2.34x1.26 / 110.4x59.5x32.0 (single) 4.35x2.34x2.48 / 110.4x59.5x63.0 (dual)	4.80x4.30x1.26 / 121.9x109.2x32.0	7.53x6.53x1.26 / 191.3x165.8x32.0
Weight (lb./Kg)	0.79 / 0.45 (single) 1.75 / 0.75 (dual)	1.39 / 0.63	2.43 / 1.10
Shipping Dimension (in/mm)	6.50x4.13x1.50 / 165.0x105.0x38.0 (single) 6.50x4.13x2.76 / 165.0x105.0x70.0 (dual)	7.28x5.71x1.50 / 185.0x145.0x38.0	9.84x7.87x1.50 / 250.0x200.0x38.0
Shipping Weight (lb./Kg)	1.08 / 0.49 (single) 1.77 / 0.80 (dual)	1.54 / 0.70	2.60 / 1.18
Connector Type	4.3-10 Female & N-type Female	4.3-10 Female & N-type Female	4.3-10 Female & N-type Female

Environment & Compliance

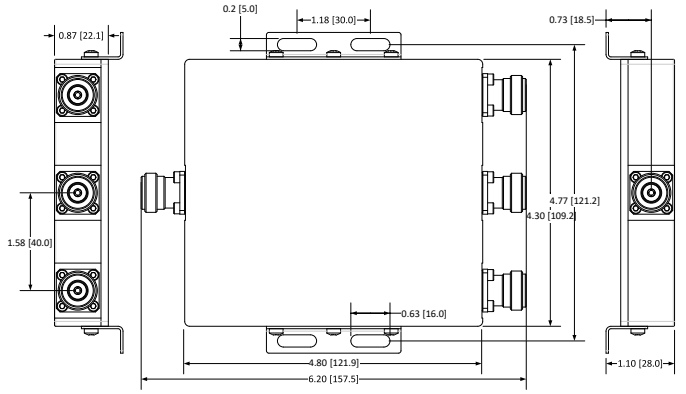
Application	Indoor / Outdoor	Operating Temperature	-30°C to +85°C
Environment	IP65	Relative Humidity	Up to 95%
RoHS	Compliant		

Outline Drawing

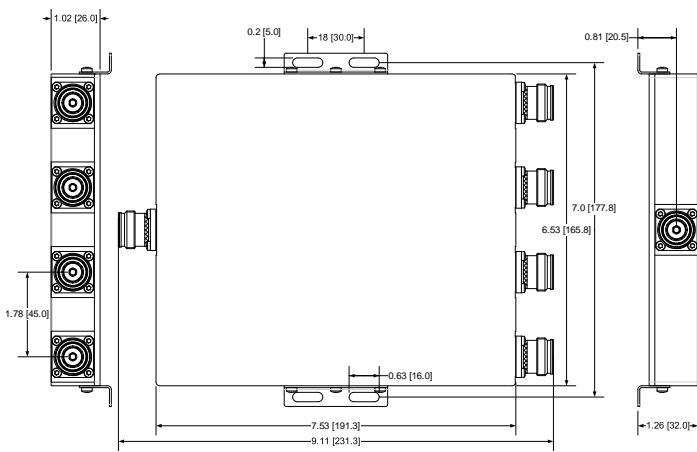




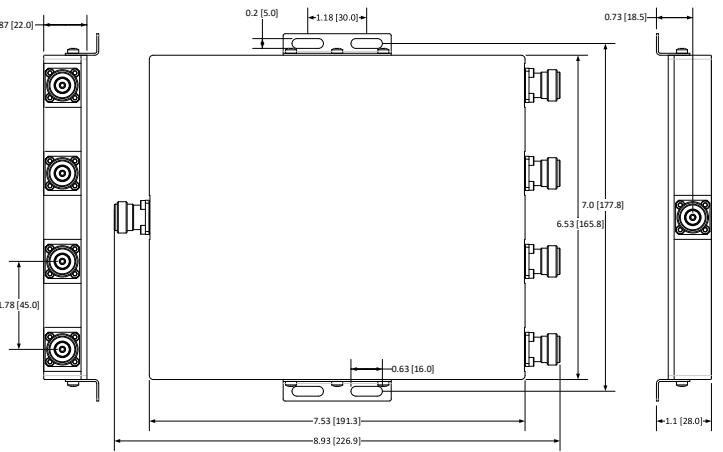
PSW-HS3AXB



PSW-HS3NXB

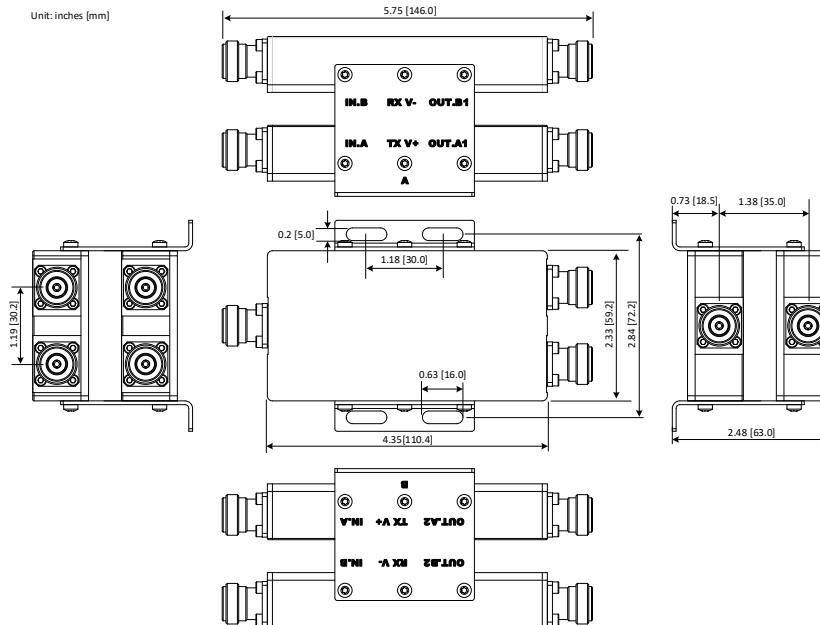


PSW-HS4AXB



PSW-HS4NXB

Unit: inches [mm]



PSW-HS2NXDB