

Wideband Power Splitter

PSW-R2N / PSW-R3N / PSW-R4N

2/3/4Way, 698-2700MHz, N Female, 50W

- Wilkinson power splitter
- Wideband design covering 698-2700MHz
- Suitable for indoor/outdoor environment
- High reliability and low insertion loss



Electrical Specification

Product Model	PSW-R2N	PSW-R3N	PSW-R4N
	2-Way	3-Way	4-Way
Frequency (MHz)	698-2700		
Split Loss (dB)	3.0	4.8	6.0
Insertion Loss (dB)	≤ 0.4	≤ 0.6	≤ 0.7
Isolation (dB)	≥ 20	≥ 20	≥ 18
VSWR @ all ports	≤ 1.2	≤ 1.25	≤ 1.3
Average Power, max (W)	50		
Impedance (ohm)	50		

Mechanical Specification

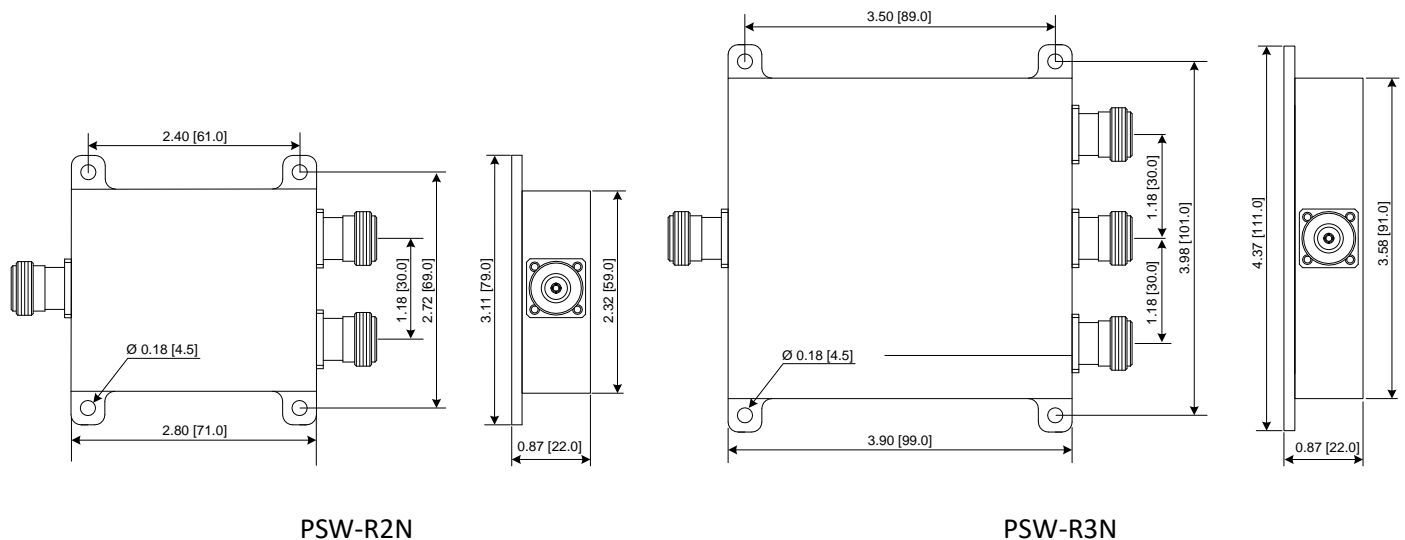
Dimension (in/mm)	2.80x2.32x0.87 / 71.0x59.0x22.0	3.90x3.58x0.87 / 99.0x91.0x22.0	3.66x4.76x0.87 / 93.0x121.0x22.0
Weight (lb./Kg)	0.55 / 0.25	1.12 / 0.51	1.32 / 0.60
Shipping Dimension (in/mm)	4.96x3.86x1.50 / 126.0x98.0x38.0	6.22x5.04x1.50 / 158.0x128.0x38.0	6.22x6.22x1.50 / 158.0x 158.0x38.0
Shipping Weight (lb./Kg)	0.62 / 0.28	1.21 / 0.55	1.43 / 0.65
Connector Type	N Female	N Female	N Female

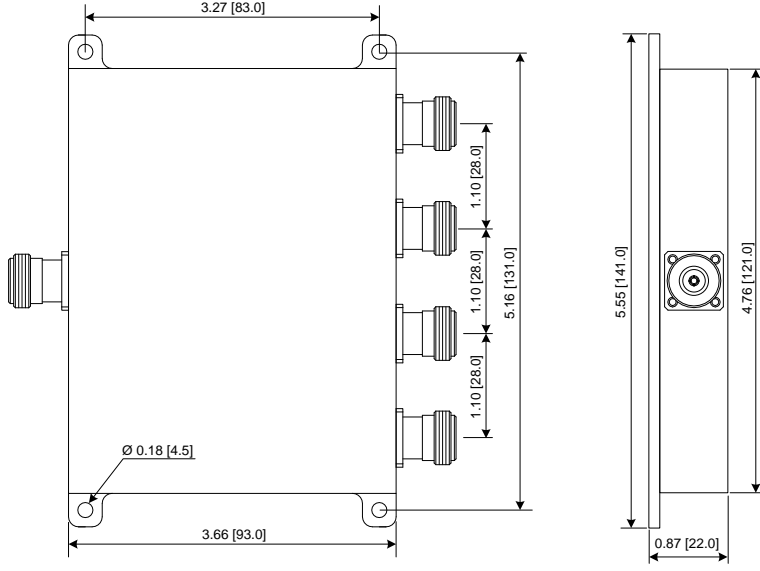
Environment & Compliance

Application	Indoor / Outdoor	Operating Temperature	-40°C to +85°C
Environment	IP65	Relative Humidity	Up to 95%
RoHS	Compliant		

Outline Drawing

Unit: inches [mm]





PSW-R4N